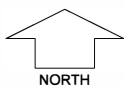


**LEGEND**

- |             |                |   |                        |                             |                     |               |                         |                     |                     |                    |                    |
|-------------|----------------|---|------------------------|-----------------------------|---------------------|---------------|-------------------------|---------------------|---------------------|--------------------|--------------------|
| WATER       | SEWER/ MANHOLE | A PACKAGE A<br>B PACKAGE B<br>C PACKAGE C | POWER DOME MINI PILLAR | POWER DOME UNIVERSAL PILLAR | STREETLIGHTS        | PADMOUNT SITE | RETAINING WALL & HEIGHT | NON-STRUCTURAL WALL | OPTICOMM CONNECTION | ACCESS RESTRICTION | TOP OF KERB HEIGHT |
| WATER METER | WATER HYDRANT  | WATER VALVE                               | DRAINAGE               | STREETLIGHTS                | NON-STRUCTURAL WALL | PAD LEVEL     | ROAD LEVEL              | GARAGE LOCATION     | SPOT LEVEL          | PAD LEVEL          | ROAD LEVEL         |

**STAGE 1**

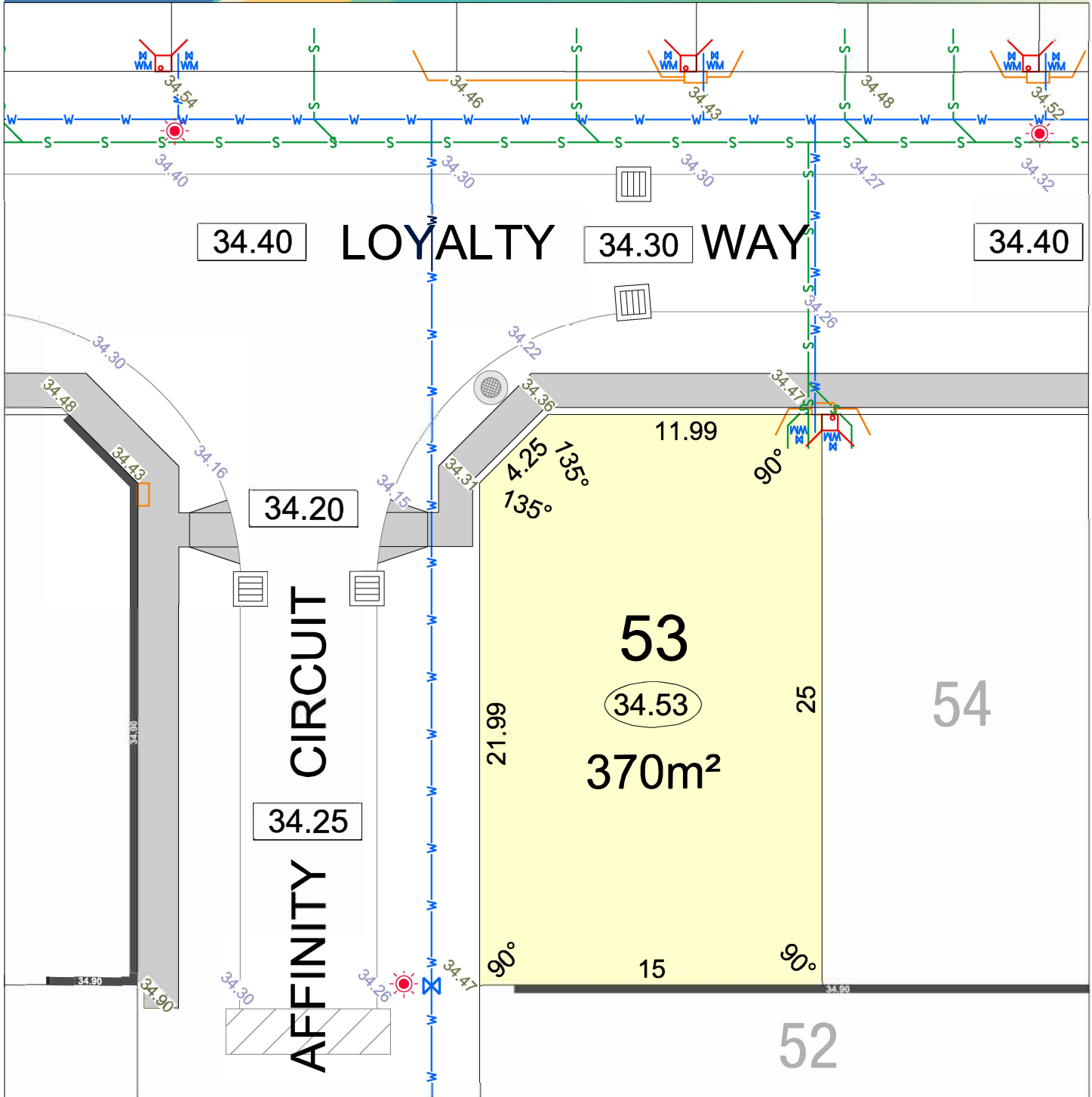


**SCALE 1:250**

**Depicted information subject to approvals and survey.**  
 All dimensions and areas are subject to survey. The particulars on this brochure are supplied for information only and shall not be taken as a representation in any respect on the part of the Vendor or its agent. Authorities should be consulted when services are contained within lot boundaries as building restrictions may apply. All retaining walls and associated easements are shown exaggerated for clarity.

MNG Ref: 101636lip-012d Date: 16/08/2024

parcel.

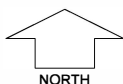


### LEGEND

- |                |   |                             |                         |                    |
|----------------|---|-----------------------------|-------------------------|--------------------|
| WATER          | DRAINAGE  | POWER DOME MINI PILLAR      | RETAINING WALL & HEIGHT | TOP OF KERB HEIGHT |
| WATER METER    | ACOUSTIC ATTENUATION PACKAGE REQUIREMENT (FOR SINGLE STOREY CONSTRUCTION) | POWER DOME UNIVERSAL PILLAR | NON-STRUCTURAL WALL     | SPOT LEVEL         |
| WATER HYDRANT  | PACKAGE A<br>PACKAGE B<br>PACKAGE C                                       | STREETLIGHTS                | OPTICOMM CONNECTION     | PAD LEVEL          |
| WATER VALVE    | PADMOUNT SITE   | ACCESS RESTRICTION          | ROAD LEVEL              | GARAGE LOCATION    |
| SEWER/ MANHOLE |   |                             |                         |                    |

STAGE 1

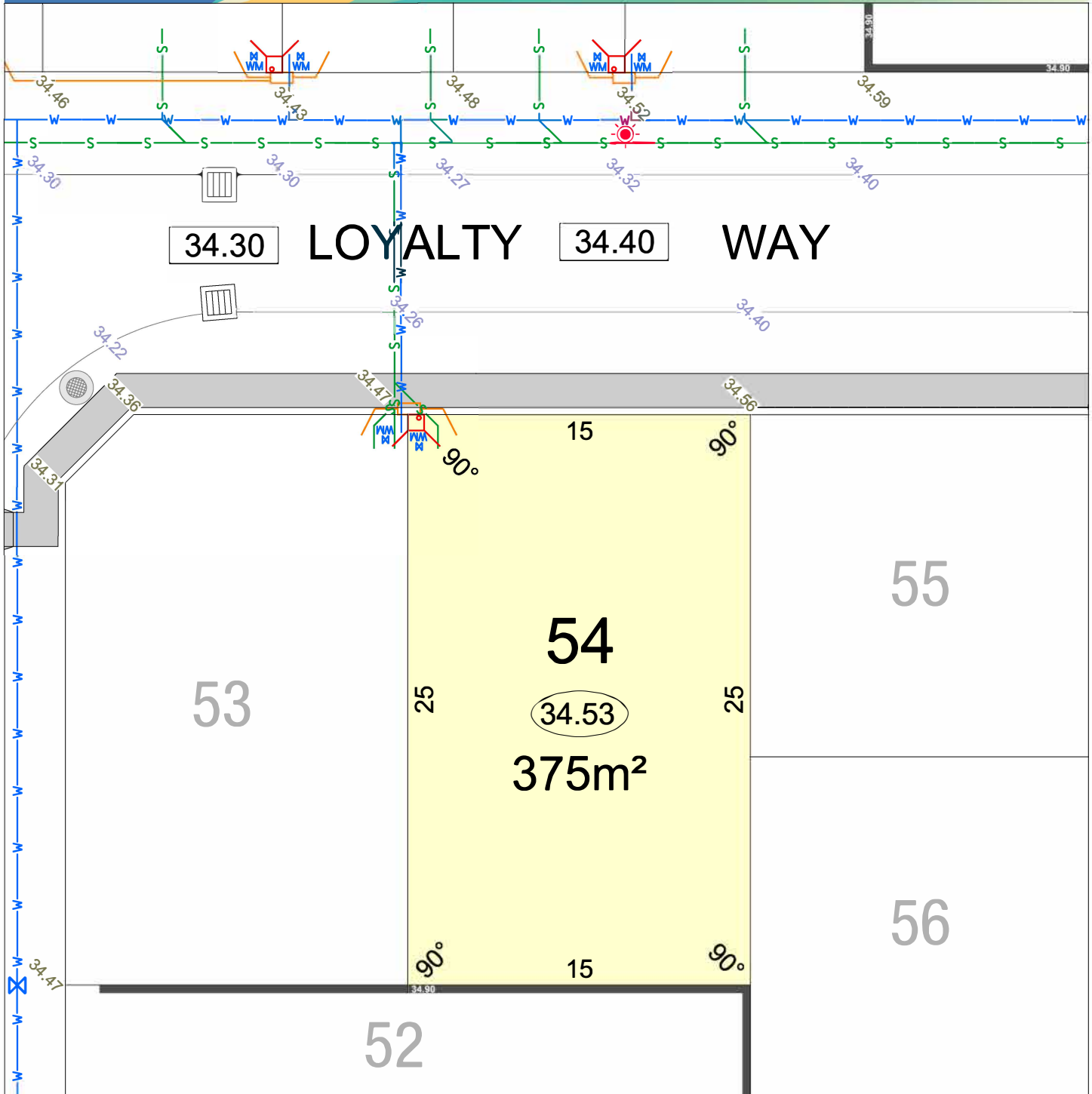
SCALE 1:250



**Depicted information subject to approvals and survey.**  
 All dimensions and areas are subject to survey. The particulars on this brochure are supplied for information only and shall not be taken as a representation in any respect on the part of the Vendor or its agent. Authorities should be consulted when services are contained within lot boundaries as building restrictions may apply. All retaining walls and associated easements are shown exaggerated for clarity.

MNG Ref: 101636lip-012d Date: 16/08/2024

parcel.



**LEGEND**

- |                |  |                             |                               |                          |
|----------------|--|-----------------------------|-------------------------------|--------------------------|
| WATER          | DRAINAGE   | POWER DOME MINI PILLAR      | 26.54 RETAINING WALL & HEIGHT | 26.80 TOP OF KERB HEIGHT |
| WATER METER    | <b>ACOUSTIC ATTENUATION PACKAGE REQUIREMENT (FOR SINGLE STOREY CONSTRUCTION)</b> | POWER DOME UNIVERSAL PILLAR | NON-STRUCTURAL WALL           | 26.16 SPOT LEVEL         |
| WATER HYDRANT  | <b>(A) PACKAGE A</b>   | STREETLIGHTS                | OPTICOMM CONNECTION           | 26.32 PAD LEVEL          |
| WATER VALVE    | <b>(B) PACKAGE B</b>   | PADMOUNT SITE               | ACCESS RESTRICTION            | 25.40 ROAD LEVEL         |
| SEWER/ MANHOLE | <b>(C) PACKAGE C</b>   |                             |                               | GARAGE LOCATION          |

**STAGE 1**

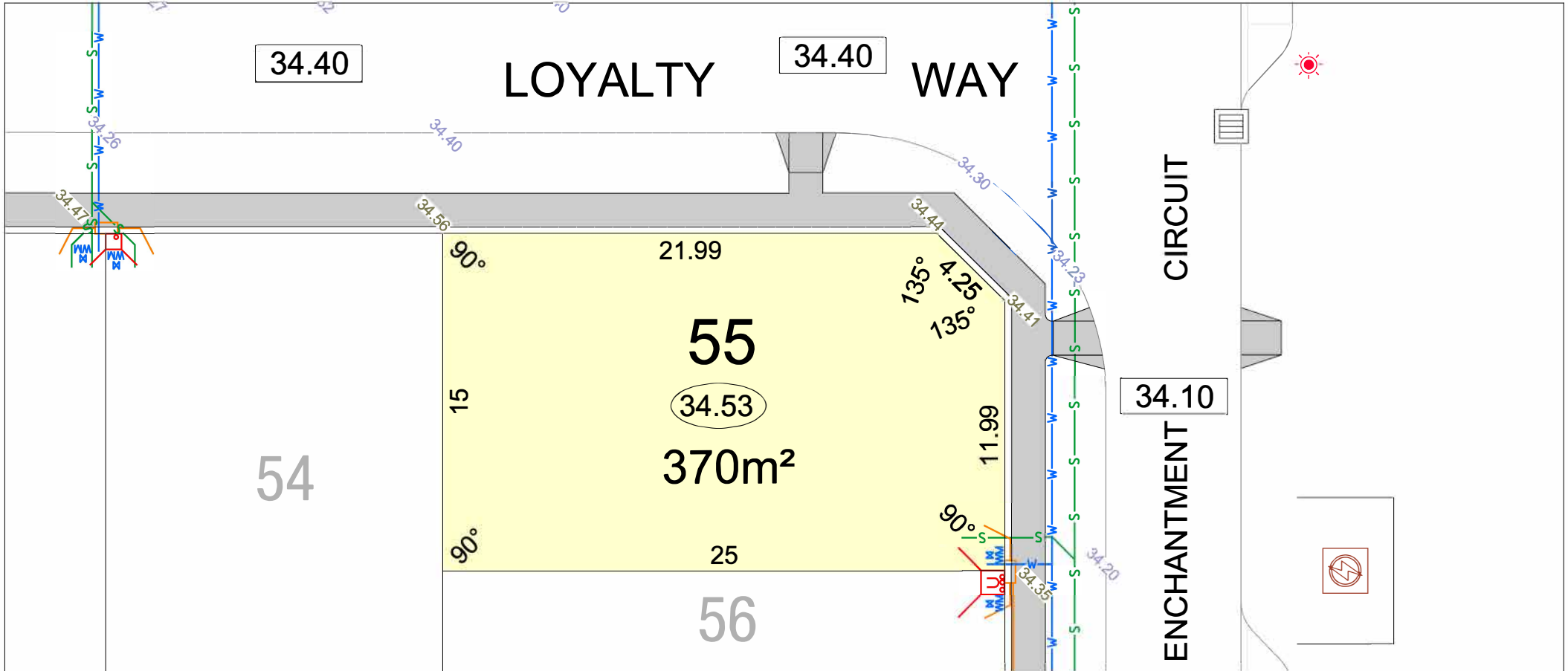
**SCALE 1:250**



**Depicted information subject to approvals and survey.**  
All dimensions and areas are subject to survey. The particulars on this brochure are supplied for information only and shall not be taken as a representation in any respect on the part of the Vendor or its agent. Authorities should be consulted when services are contained within lot boundaries as building restrictions may apply. All retaining walls and associated easements are shown exaggerated for clarity.

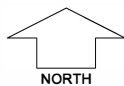
MNG Ref: 101636lip-012d Date: 16/08/2024

parcel.



LEGEND		DRAINAGE		POWER DOME		OPTICOMM CONNECTION		ACROUSTIC ATTENUATION PACKAGE REQUIREMENT (FOR SINGLE STOREY CONSTRUCTION)	
WATER	WATER VALVE	DRAINAGE	POWER DOME MINI PILLAR	OPTICOMM CONNECTION	TOP OF KERB HEIGHT	(A) PACKAGE A (B) PACKAGE B (C) PACKAGE C			
WATER METER	GARAGE LOCATION	RETAINING WALL & HEIGHT	POWER DOME UNIVERSAL PILLAR	SEWER/ MANHOLE	SPOT LEVEL				
WATER HYDRANT	ROAD LEVEL	NON-STRUCTURAL WALL	STREETLIGHTS	ACCESS RESTRICTION	PAD LEVEL				

STAGE 1

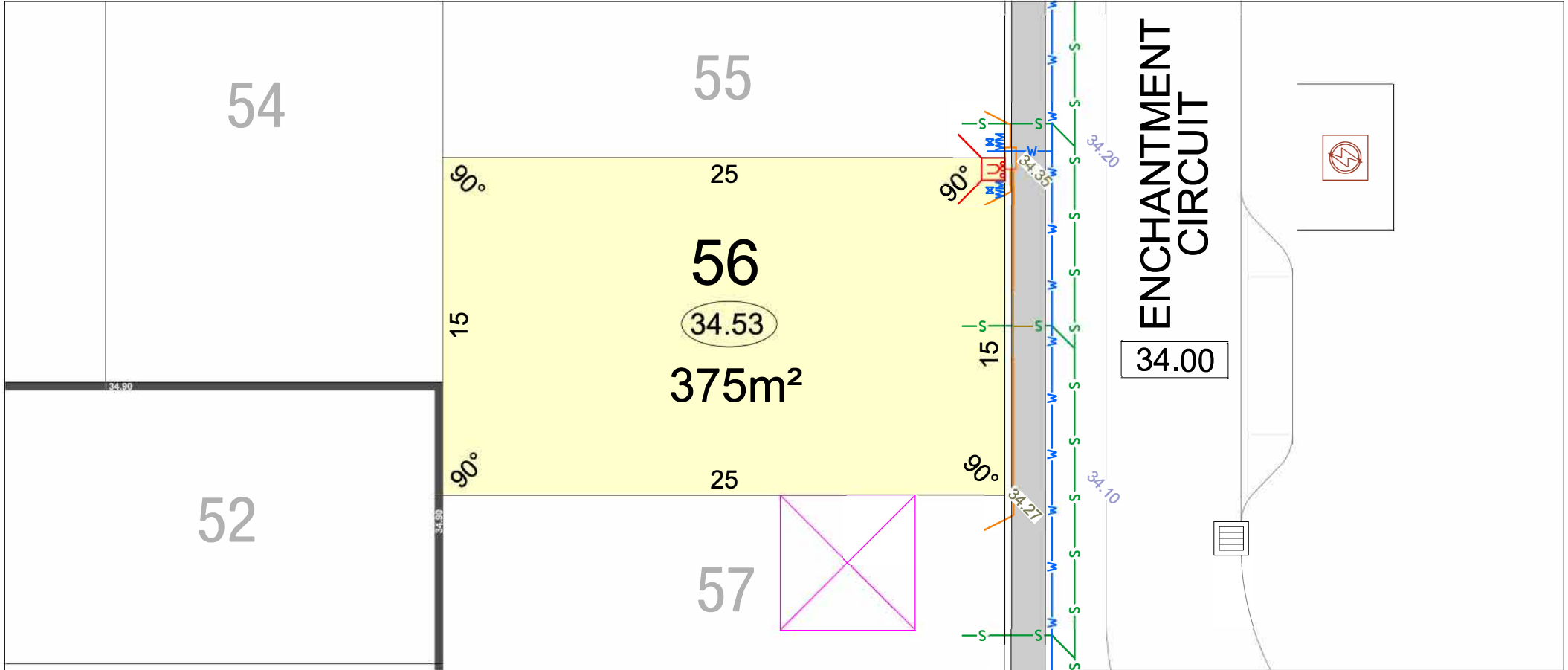


SCALE 1:250

Depicted information subject to approvals and survey.

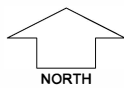
All dimensions and areas are subject to survey. The particulars on this brochure are supplied for information only and shall not be taken as a representation in any respect on the part of the Vendor or its agent. Authorities should be consulted when services are contained within lot boundaries as building restrictions may apply. All retaining walls and associated easements are shown exaggerated for clarity.

parcel.



LEGEND		DRAINAGE		STREETLIGHTS		TOP OF KERB HEIGHT		ACOUSTIC ATTENUATION PACKAGE REQUIREMENT (FOR SINGLE STOREY CONSTRUCTION)	
WATER	WATER VALVE	DRAINAGE	POWER DOME MINI PILLAR	STREETLIGHTS	OPTICOMM CONNECTION	24.99 TOP OF KERB HEIGHT	PACKAGE A	PACKAGE B	PACKAGE C
WATER METER	GARAGE LOCATION	26.54 RETAINING WALL & HEIGHT	POWER DOME UNIVERSAL PILLAR	ACCESS RESTRICTION	SEWER/ MANHOLE	26.16 SPOT LEVEL	26.32 PAD LEVEL		
WATER HYDRANT	25.40 ROAD LEVEL	NON-STRUCTURAL WALL			PADMOUNT SITE				

STAGE 1

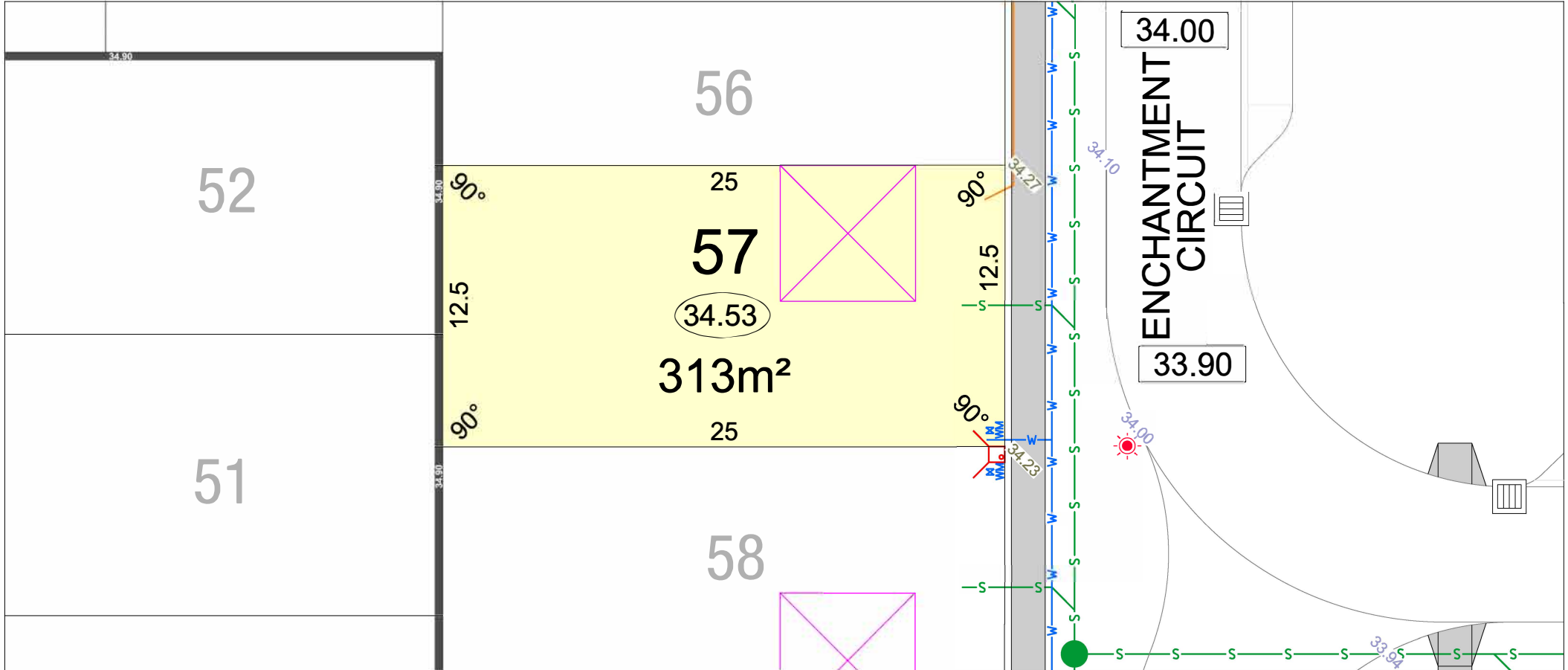


SCALE 1:250

**Depicted information subject to approvals and survey.**

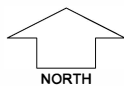
All dimensions and areas are subject to survey. The particulars on this brochure are supplied for information only and shall not be taken as a representation in any respect on the part of the Vendor or its agent. Authorities should be consulted when services are contained within lot boundaries as building restrictions may apply. All retaining walls and associated easements are shown exaggerated for clarity.

parcel.



LEGEND		DRAINAGE		POWER DOME		OPTICOMM CONNECTION		ACROUSTIC ATTENUATION PACKAGE REQUIREMENT (FOR SINGLE STOREY CONSTRUCTION)	
WATER	WATER VALVE	DRAINAGE	POWER DOME MINI PILLAR	OPTICOMM CONNECTION	TOP OF KERB HEIGHT	ACROUSTIC ATTENUATION PACKAGE REQUIREMENT (FOR SINGLE STOREY CONSTRUCTION)			
WATER METER	GARAGE LOCATION	RETAINING WALL & HEIGHT	POWER DOME UNIVERSAL PILLAR	SEWER/ MANHOLE	SPOT LEVEL				
WATER HYDRANT	ROAD LEVEL	NON-STRUCTURAL WALL	STREETLIGHTS	ACCESS RESTRICTION	PAD LEVEL				
					PADMOUNT SITE	PACKAGE A	PACKAGE B	PACKAGE C	

STAGE 1

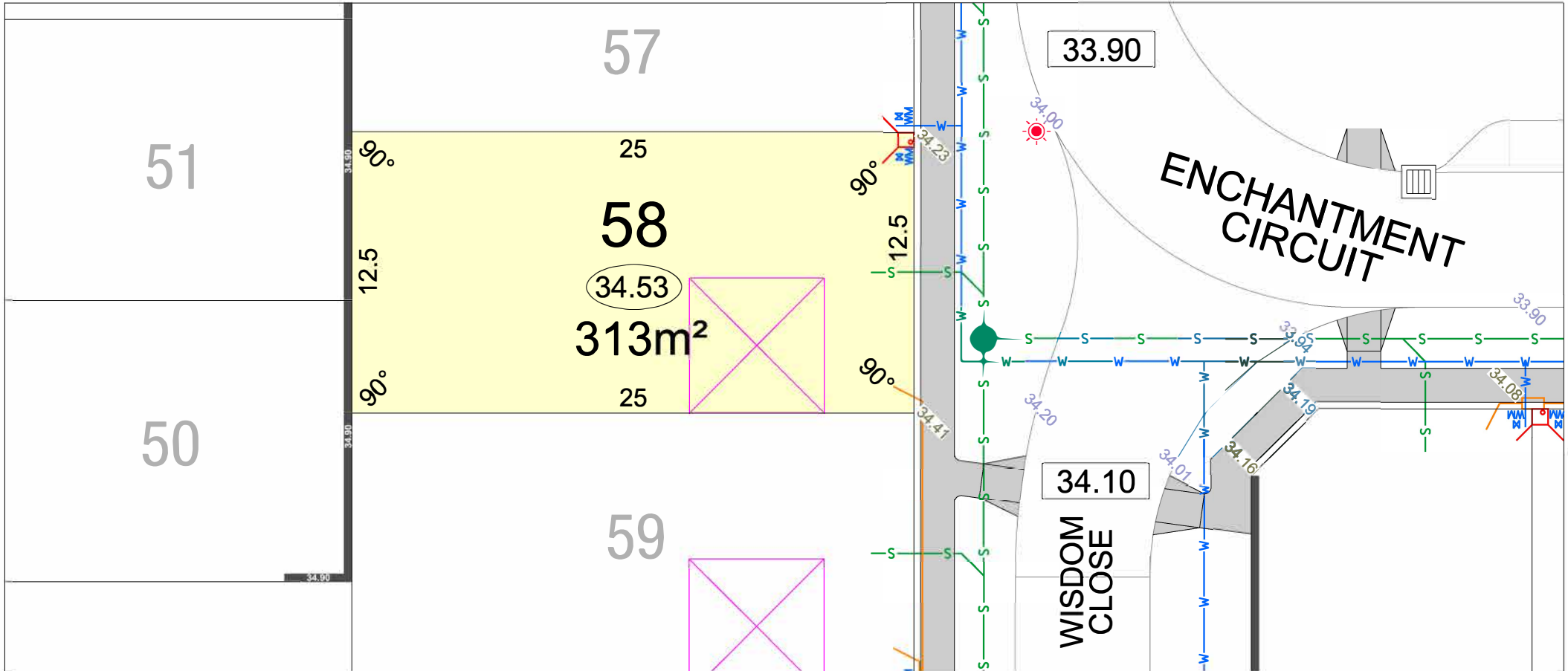


SCALE 1:250

**Depicted information subject to approvals and survey.**

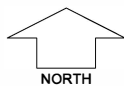
All dimensions and areas are subject to survey. The particulars on this brochure are supplied for information only and shall not be taken as a representation in any respect on the part of the Vendor or its agent. Authorities should be consulted when services are contained within lot boundaries as building restrictions may apply. All retaining walls and associated easements are shown exaggerated for clarity.

parcel.



LEGEND		DRAINAGE		POWER DOME		OPTICOMM CONNECTION		TOP OF KERB HEIGHT		ACOUSTIC ATTENUATION PACKAGE REQUIREMENT (FOR SINGLE STOREY CONSTRUCTION)		
	WATER		WATER VALVE		POWER DOME MINI PILLAR		OPTICOMM CONNECTION		24.99	TOP OF KERB HEIGHT		PACKAGE A
	WATER METER		POWER DOME UNIVERSAL PILLAR		OPTICOMM CONNECTION		SEWER/ MANHOLE		26.16	SPOT LEVEL		PACKAGE B
	WATER HYDRANT		STREETLIGHTS		ACCESS RESTRICTION		PADMOUNT SITE		26.32	PAD LEVEL		PACKAGE C
	GARAGE LOCATION		RETAINING WALL & HEIGHT									
	25.40 ROAD LEVEL		NON-STRUCTURAL WALL									

STAGE 1

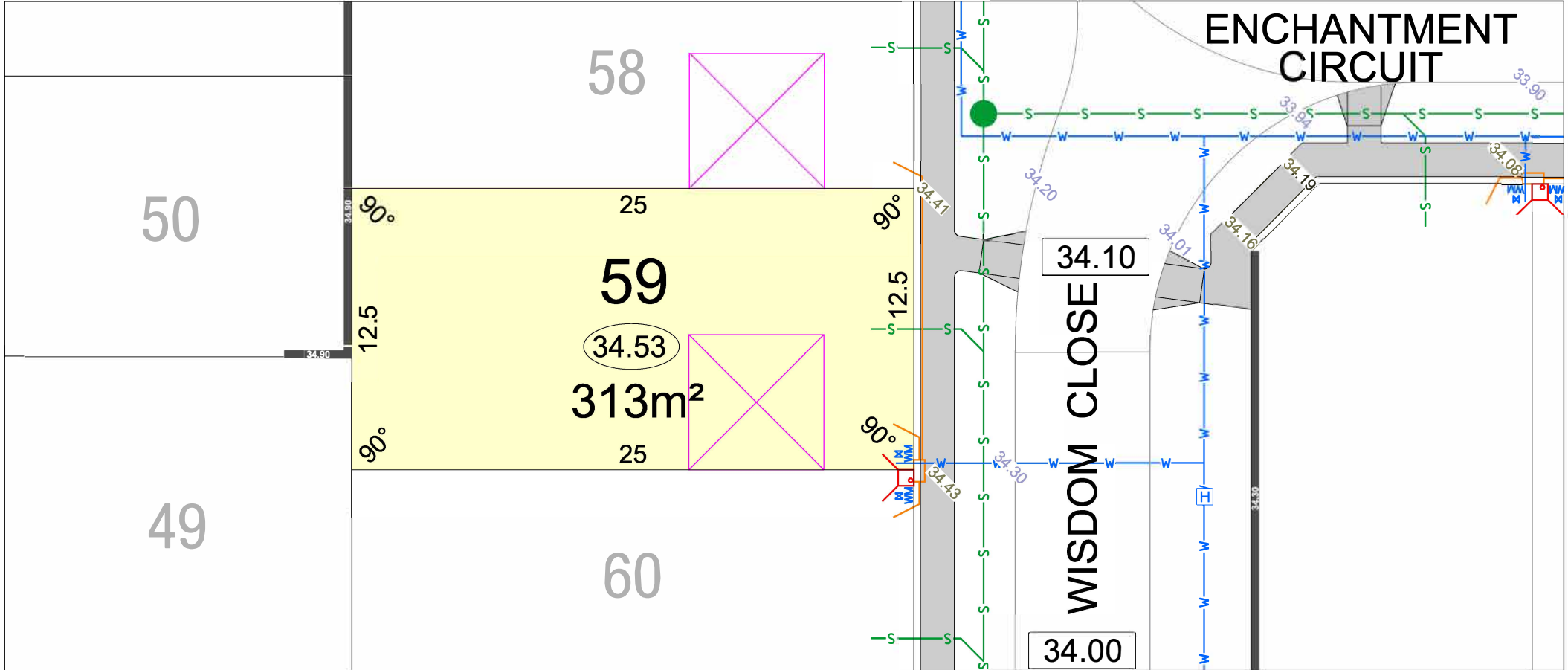


SCALE 1:250

**Depicted information subject to approvals and survey.**

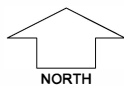
All dimensions and areas are subject to survey. The particulars on this brochure are supplied for information only and shall not be taken as a representation in any respect on the part of the Vendor or its agent. Authorities should be consulted when services are contained within lot boundaries as building restrictions may apply. All retaining walls and associated easements are shown exaggerated for clarity.

parcel.



LEGEND		DRAINAGE		POWER DOME		OPTICOMM CONNECTION		ACQUANTIFICATION PACKAGE REQUIREMENT (FOR SINGLE STOREY CONSTRUCTION)	
	WATER		WATER VALVE		POWER DOME MINI PILLAR		OPTICOMM CONNECTION		PACKAGE A
	WATER METER		POWER DOME UNIVERSAL PILLAR		ACCESS RESTRICTION		TOP OF KERB HEIGHT		PACKAGE B
	WATER HYDRANT		STREETLIGHTS		PADMOUNT SITE		SPOT LEVEL		PACKAGE C
	GARAGE LOCATION		RETAINING WALL & HEIGHT				PAD LEVEL		
	ROAD LEVEL		NON-STRUCTURAL WALL						

STAGE 1



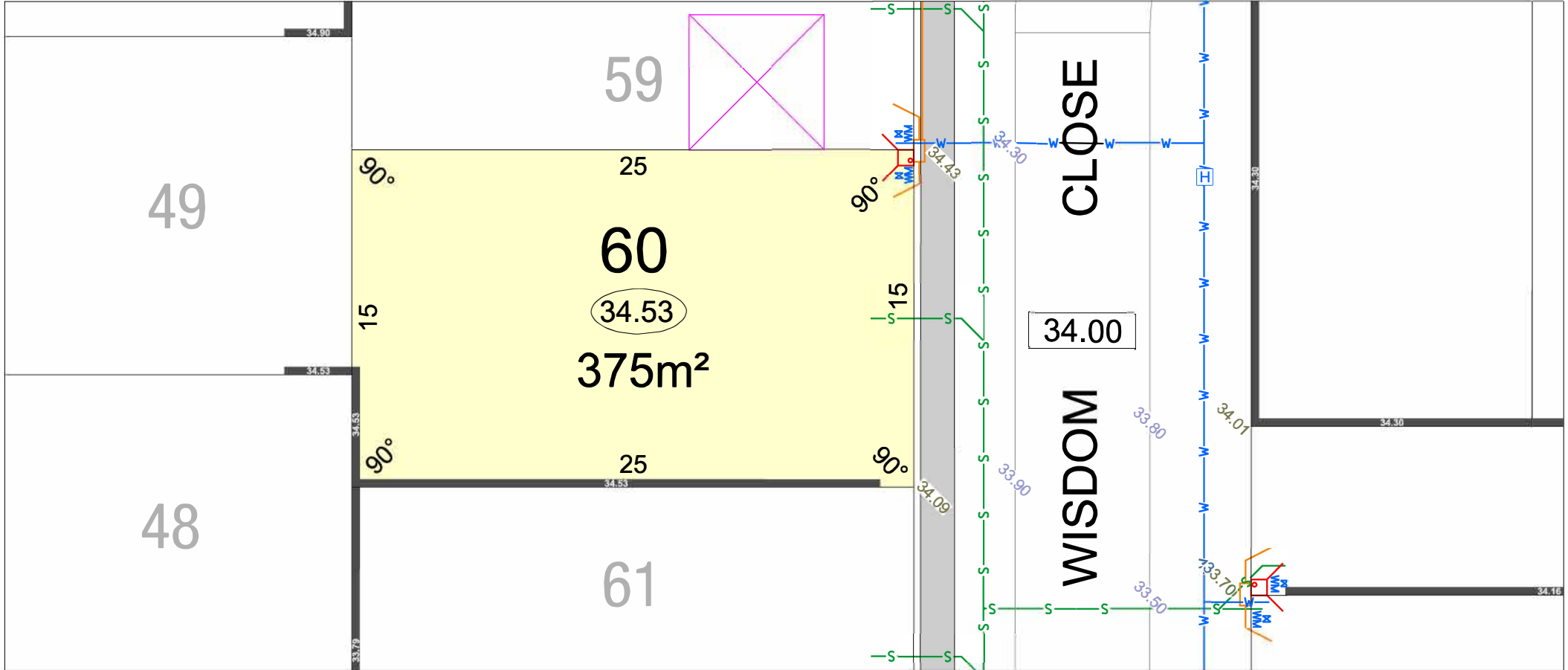
SCALE 1:250

**Depicted information subject to approvals and survey.**

All dimensions and areas are subject to survey. The particulars on this brochure are supplied for information only and shall not be taken as a representation in any respect on the part of the Vendor or its agent. Authorities should be consulted when services are contained within lot boundaries as building restrictions may apply. All retaining walls and associated easements are shown exaggerated for clarity.

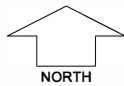
parcel.





LEGEND		DRAINAGE		POWER DOME		OPTICOMM CONNECTION		ACQUANTIFICATION		
WATER	WATER VALVE	DRAINAGE	POWER DOME MINI PILLAR	OPTICOMM CONNECTION	TOP OF KERB HEIGHT	ACOUSTIC ATTENUATION PACKAGE REQUIREMENT (FOR SINGLE STOREY CONSTRUCTION)				
WATER METER	GARAGE LOCATION	RETAINING WALL & HEIGHT	POWER DOME UNIVERSAL PILLAR	SEWER/ MANHOLE	SPOT LEVEL					PACKAGE A
WATER HYDRANT	ROAD LEVEL	NON-STRUCTURAL WALL	STREETLIGHTS	ACCESS RESTRICTION	PAD LEVEL					PACKAGE B
				PADMOUNT SITE		PACKAGE C				

STAGE 1

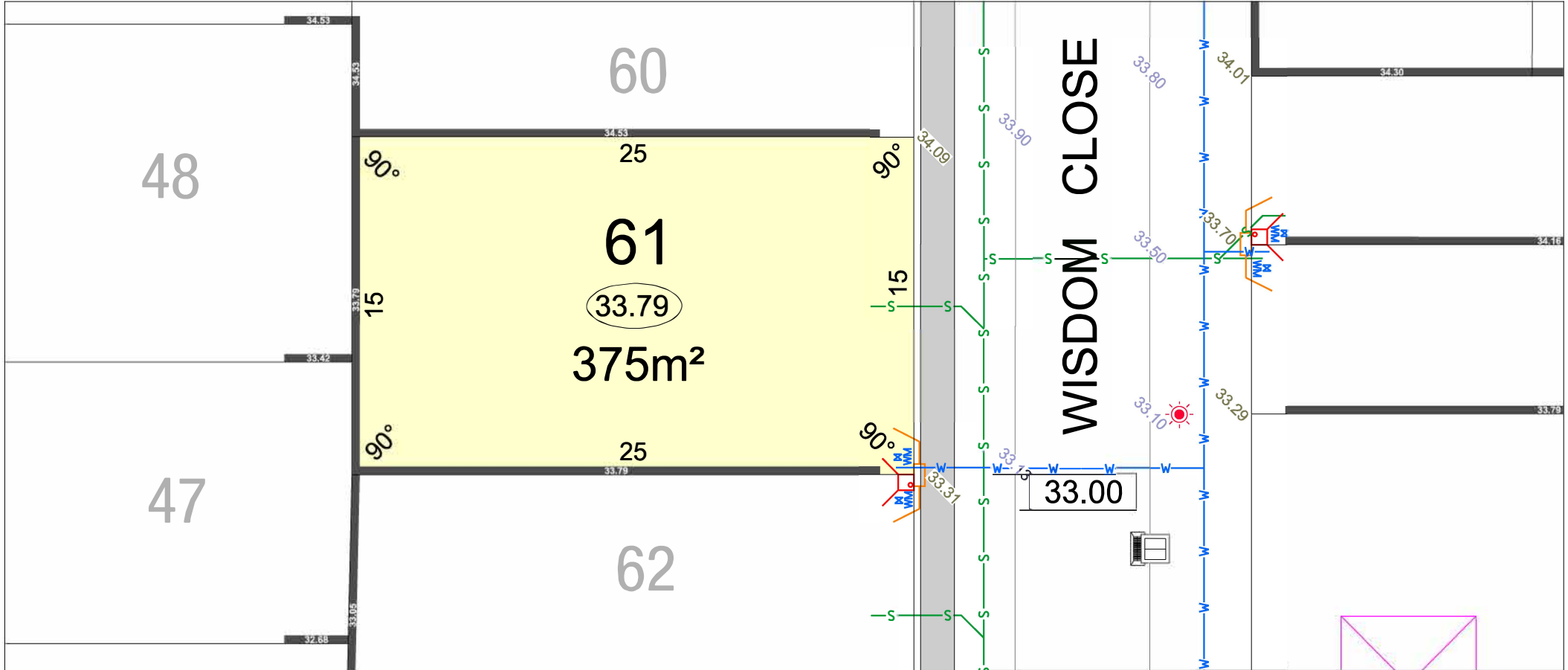


SCALE 1:250

**Depicted information subject to approvals and survey.**

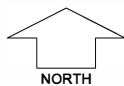
All dimensions and areas are subject to survey. The particulars on this brochure are supplied for information only and shall not be taken as a representation in any respect on the part of the Vendor or its agent. Authorities should be consulted when services are contained within lot boundaries as building restrictions may apply. All retaining walls and associated easements are shown exaggerated for clarity.

parcel.



LEGEND									
	WATER		WATER VALVE		DRAINAGE		OPTICOMM CONNECTION		TOP OF KERB HEIGHT
	WATER METER		GARAGE LOCATION		RETAINING WALL & HEIGHT		SEWER/ MANHOLE		SPOT LEVEL
	WATER HYDRANT		ROAD LEVEL		NON-STRUCTURAL WALL		ACCESS RESTRICTION		PAD LEVEL
					POWER DOME MINI PILLAR		PADMOUNT SITE		
					POWER DOME UNIVERSAL PILLAR				
					STREETLIGHTS				
									ACOUSTIC ATTENUATION PACKAGE REQUIREMENT (FOR SINGLE STOREY CONSTRUCTION)
									(A) PACKAGE A
									(B) PACKAGE B
									(C) PACKAGE C

STAGE 1

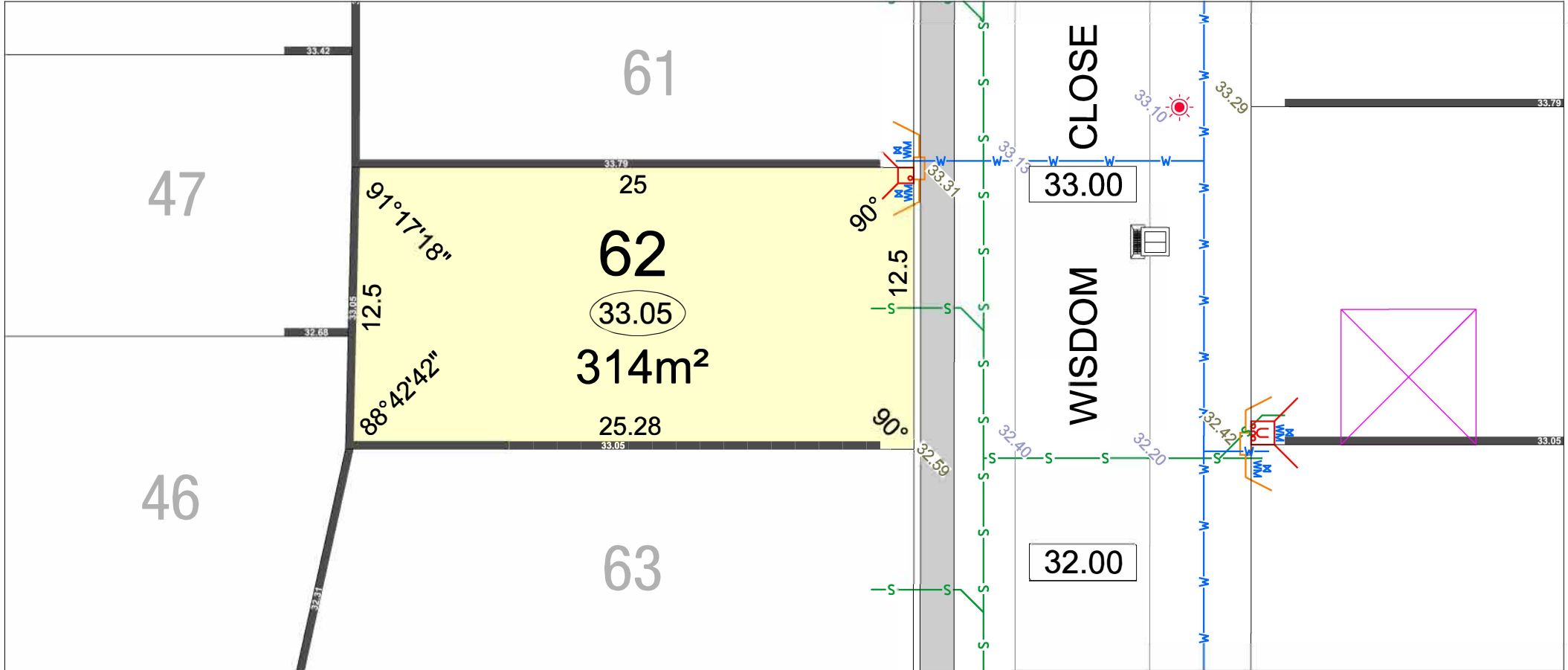


SCALE 1:250

**Depicted information subject to approvals and survey.**

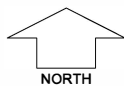
All dimensions and areas are subject to survey. The particulars on this brochure are supplied for information only and shall not be taken as a representation in any respect on the part of the Vendor or its agent. Authorities should be consulted when services are contained within lot boundaries as building restrictions may apply. All retaining walls and associated easements are shown exaggerated for clarity.

parcel.



LEGEND									
	WATER		WATER VALVE		DRAINAGE		POWER DOME MINI PILLAR		OPTICOMM CONNECTION
	WATER METER		GARAGE LOCATION		RETAINING WALL & HEIGHT		POWER DOME UNIVERSAL PILLAR		ACCESS RESTRICTION
	WATER HYDRANT		ROAD LEVEL		NON-STRUCTURAL WALL		STREETLIGHTS		PADMOUNT SITE
									TOP OF KERB HEIGHT
									SPOT LEVEL
									PAD LEVEL
									ACOUSTIC ATTENUATION PACKAGE REQUIREMENT (FOR SINGLE STOREY CONSTRUCTION)
									Ⓐ PACKAGE A
									Ⓑ PACKAGE B
									Ⓒ PACKAGE C

STAGE 1

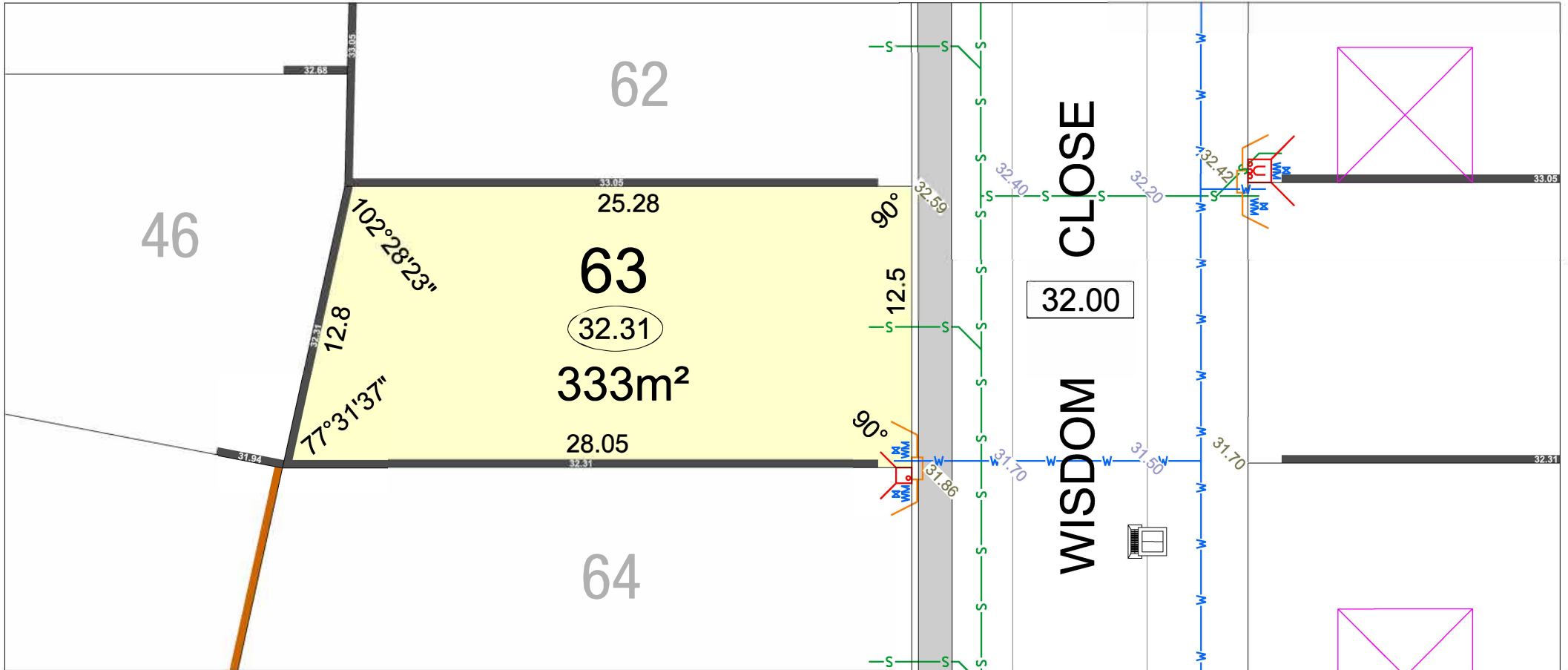


SCALE 1:250

**Depicted information subject to approvals and survey.**

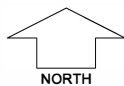
All dimensions and areas are subject to survey. The particulars on this brochure are supplied for information only and shall not be taken as a representation in any respect on the part of the Vendor or its agent. Authorities should be consulted when services are contained within lot boundaries as building restrictions may apply. All retaining walls and associated easements are shown exaggerated for clarity.

parcel.



LEGEND		DRAINAGE		POWER DOME		OPTICOMM CONNECTION		TOP OF KERB HEIGHT		ACOUSTIC ATTENUATION PACKAGE REQUIREMENT (FOR SINGLE STOREY CONSTRUCTION)	
WATER	WATER VALVE	DRAINAGE	POWER DOME MINI PILLAR	OPTICOMM CONNECTION	24.99 TOP OF KERB HEIGHT						
WATER METER	GARAGE LOCATION	26.54 RETAINING WALL & HEIGHT	POWER DOME UNIVERSAL PILLAR	SEWER/ MANHOLE	26.16 SPOT LEVEL						
WATER HYDRANT	25.40 ROAD LEVEL	NON-STRUCTURAL WALL	STREETLIGHTS	ACCESS RESTRICTION	26.32 PAD LEVEL						
<p>ⓐ PACKAGE A            ⓑ PACKAGE B            ⓒ PACKAGE C</p>											

STAGE 1

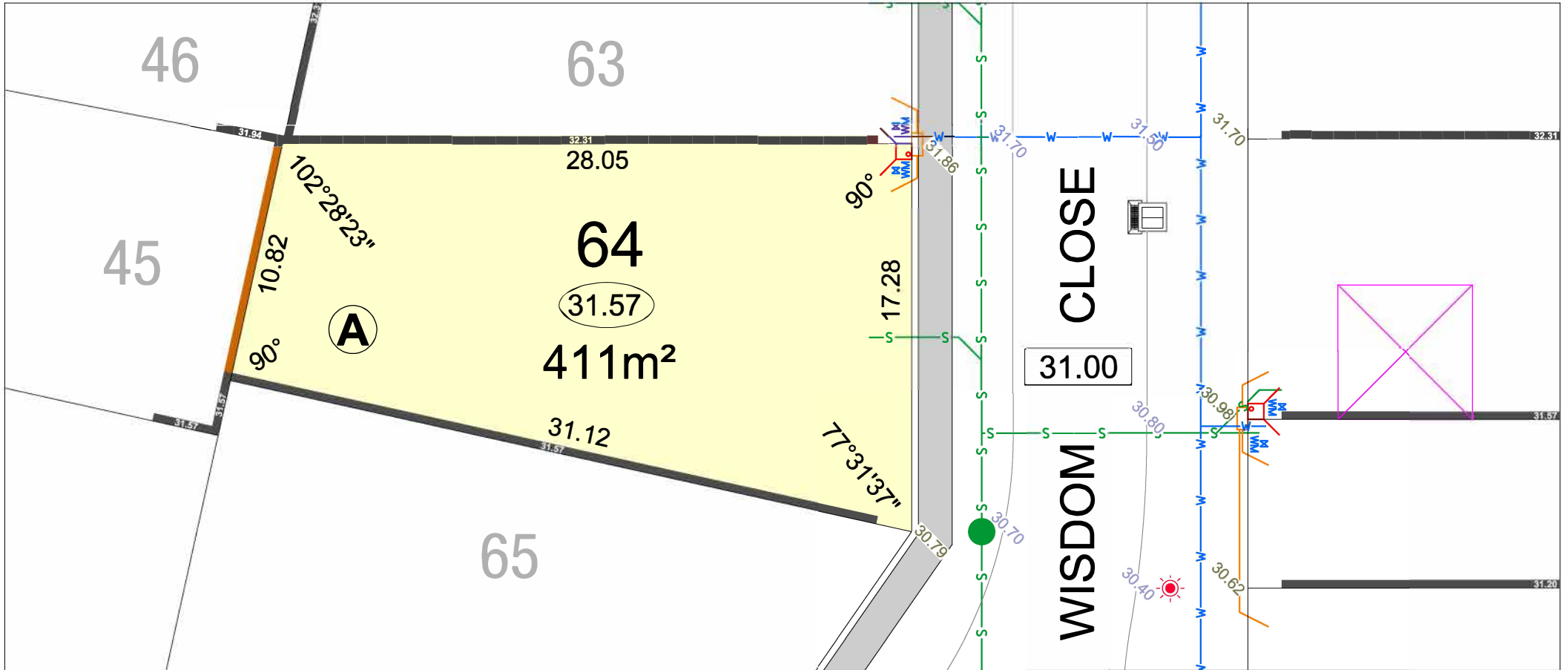


SCALE 1:250

**Depicted information subject to approvals and survey.**

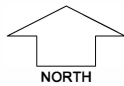
All dimensions and areas are subject to survey. The particulars on this brochure are supplied for information only and shall not be taken as a representation in any respect on the part of the Vendor or its agent. Authorities should be consulted when services are contained within lot boundaries as building restrictions may apply. All retaining walls and associated easements are shown exaggerated for clarity.

parcel.



LEGEND		DRAINAGE		POWER DOME		OPTICOMM CONNECTION		TOP OF KERB HEIGHT		ACOUSTIC ATTENUATION PACKAGE REQUIREMENT (FOR SINGLE STOREY CONSTRUCTION)			
	WATER		WATER VALVE		DRAINAGE		POWER DOME MINI PILLAR		OPTICOMM CONNECTION		TOP OF KERB HEIGHT		PACKAGE A
	WATER METER		GARAGE LOCATION		RETAINING WALL & HEIGHT		POWER DOME UNIVERSAL PILLAR		ACCESS RESTRICTION		SPOT LEVEL		PACKAGE B
	WATER HYDRANT		ROAD LEVEL		NON-STRUCTURAL WALL		STREETLIGHTS		PADMOUNT SITE		PAD LEVEL		PACKAGE C

STAGE 1

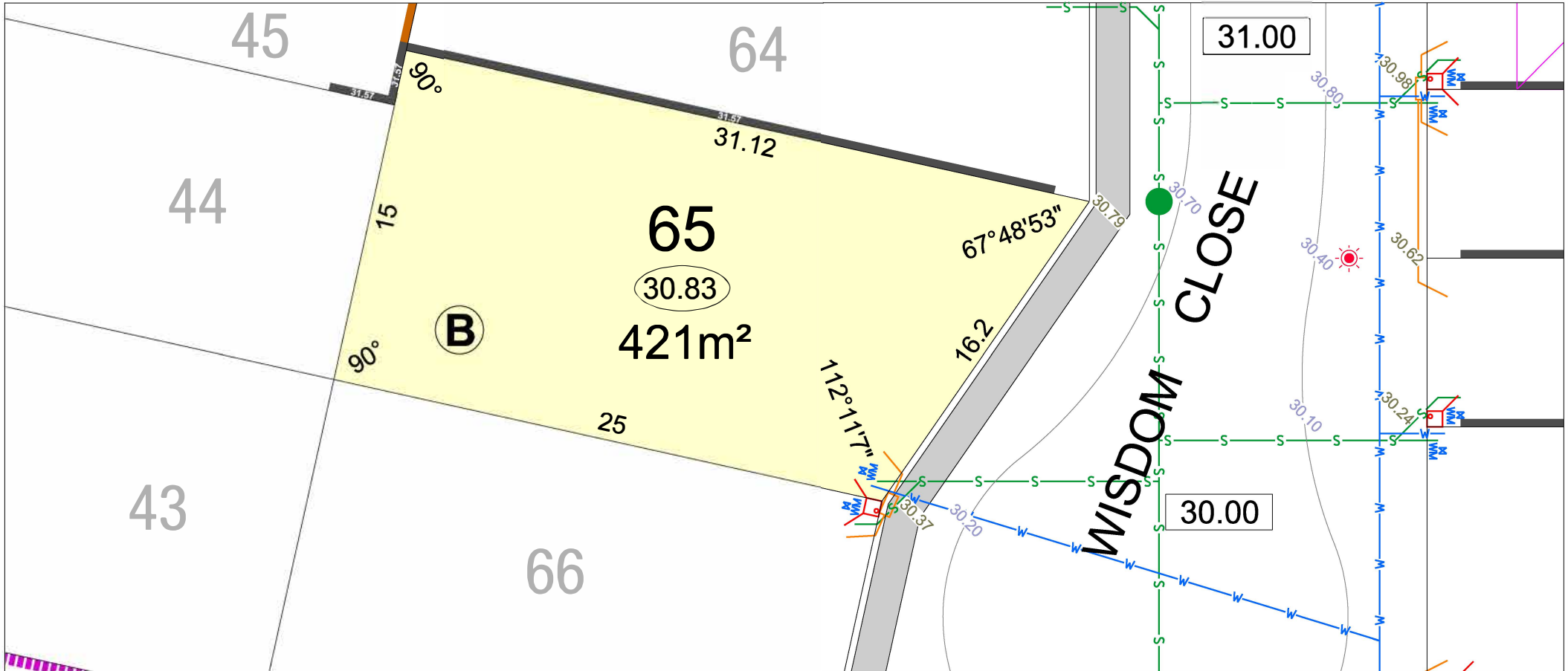


SCALE 1:250

**Depicted information subject to approvals and survey.**

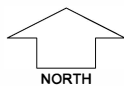
All dimensions and areas are subject to survey. The particulars on this brochure are supplied for information only and shall not be taken as a representation in any respect on the part of the Vendor or its agent. Authorities should be consulted when services are contained within lot boundaries as building restrictions may apply. All retaining walls and associated easements are shown exaggerated for clarity.

parcel.



LEGEND		DRAINAGE		POWER		ACROUSTIC ATTENUATION PACKAGE REQUIREMENT (FOR SINGLE STOREY CONSTRUCTION)	
WATER	WATER VALVE	DRAINAGE	POWER DOME MINI PILLAR	OPTICOMM CONNECTION	TOP OF KERB HEIGHT	PACKAGE A	
WATER METER	GARAGE LOCATION	RETAINING WALL & HEIGHT	POWER DOME UNIVERSAL PILLAR	SEWER/ MANHOLE	SPOT LEVEL	PACKAGE B	
WATER HYDRANT	ROAD LEVEL	NON-STRUCTURAL WALL	STREETLIGHTS	ACCESS RESTRICTION	PAD LEVEL	PACKAGE C	
				PADMOUNT SITE			

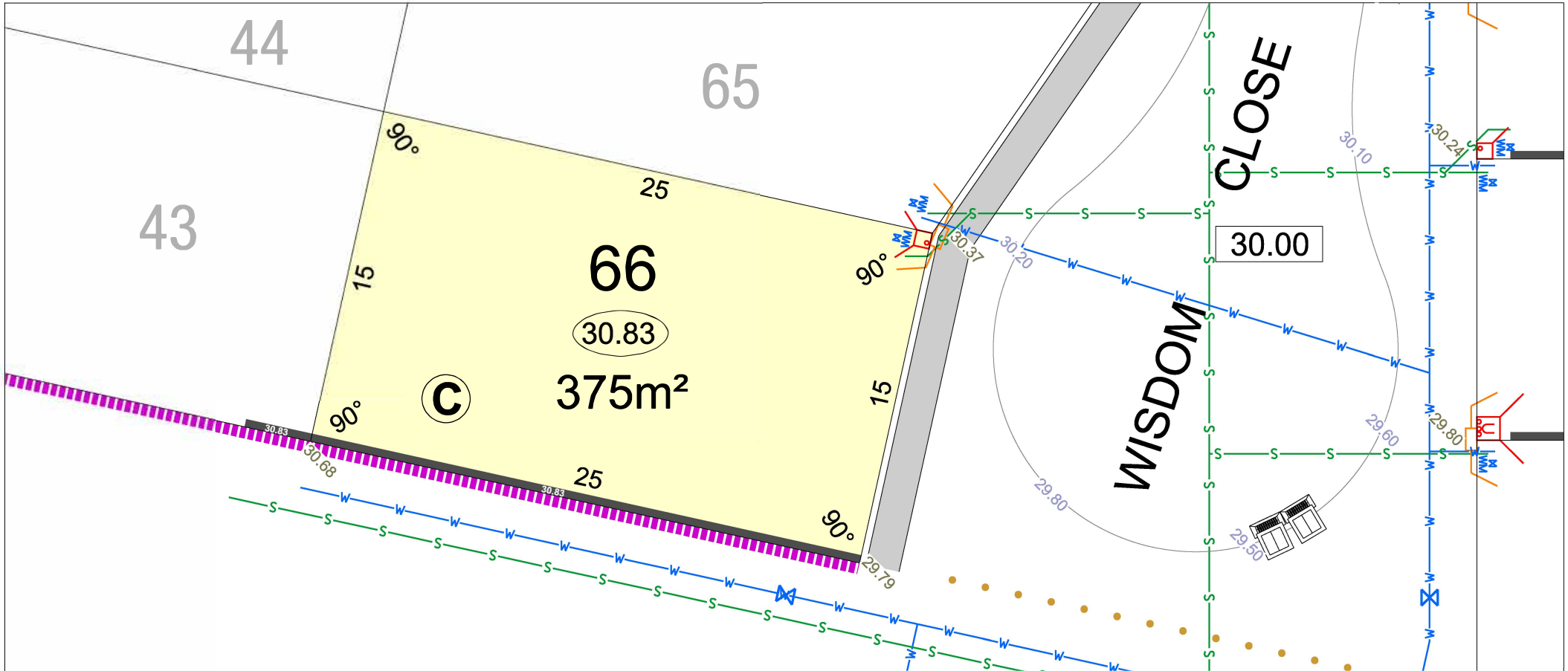
STAGE 1



SCALE 1:250

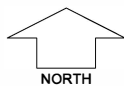
**Depicted information subject to approvals and survey.**  
All dimensions and areas are subject to survey. The particulars on this brochure are supplied for information only and shall not be taken as a representation in any respect on the part of the Vendor or its agent. Authorities should be consulted when services are contained within lot boundaries as building restrictions may apply. All retaining walls and associated easements are shown exaggerated for clarity.

parcel.



LEGEND		DRAINAGE		POWER DOME		OPTICOMM CONNECTION		TOP OF KERB HEIGHT		ACOUSTIC ATTENUATION PACKAGE REQUIREMENT (FOR SINGLE STOREY CONSTRUCTION)	
WATER	WATER VALVE	DRAINAGE	POWER DOME MINI PILLAR	OPTICOMM CONNECTION	TOP OF KERB HEIGHT						
WATER METER	GARAGE LOCATION	RETAINING WALL & HEIGHT	POWER DOME UNIVERSAL PILLAR	SEWER/ MANHOLE	SPOT LEVEL						
WATER HYDRANT	ROAD LEVEL	NON-STRUCTURAL WALL	STREETLIGHTS	ACCESS RESTRICTION	PAD LEVEL						
<p><b>ACOUSTIC ATTENUATION PACKAGE REQUIREMENT (FOR SINGLE STOREY CONSTRUCTION)</b></p> <p>(A) PACKAGE A (B) PACKAGE B (C) PACKAGE C</p>											

STAGE 1



SCALE 1:250

**Depicted information subject to approvals and survey.**

All dimensions and areas are subject to survey. The particulars on this brochure are supplied for information only and shall not be taken as a representation in any respect on the part of the Vendor or its agent. Authorities should be consulted when services are contained within lot boundaries as building restrictions may apply. All retaining walls and associated easements are shown exaggerated for clarity.

parcel.

77

79

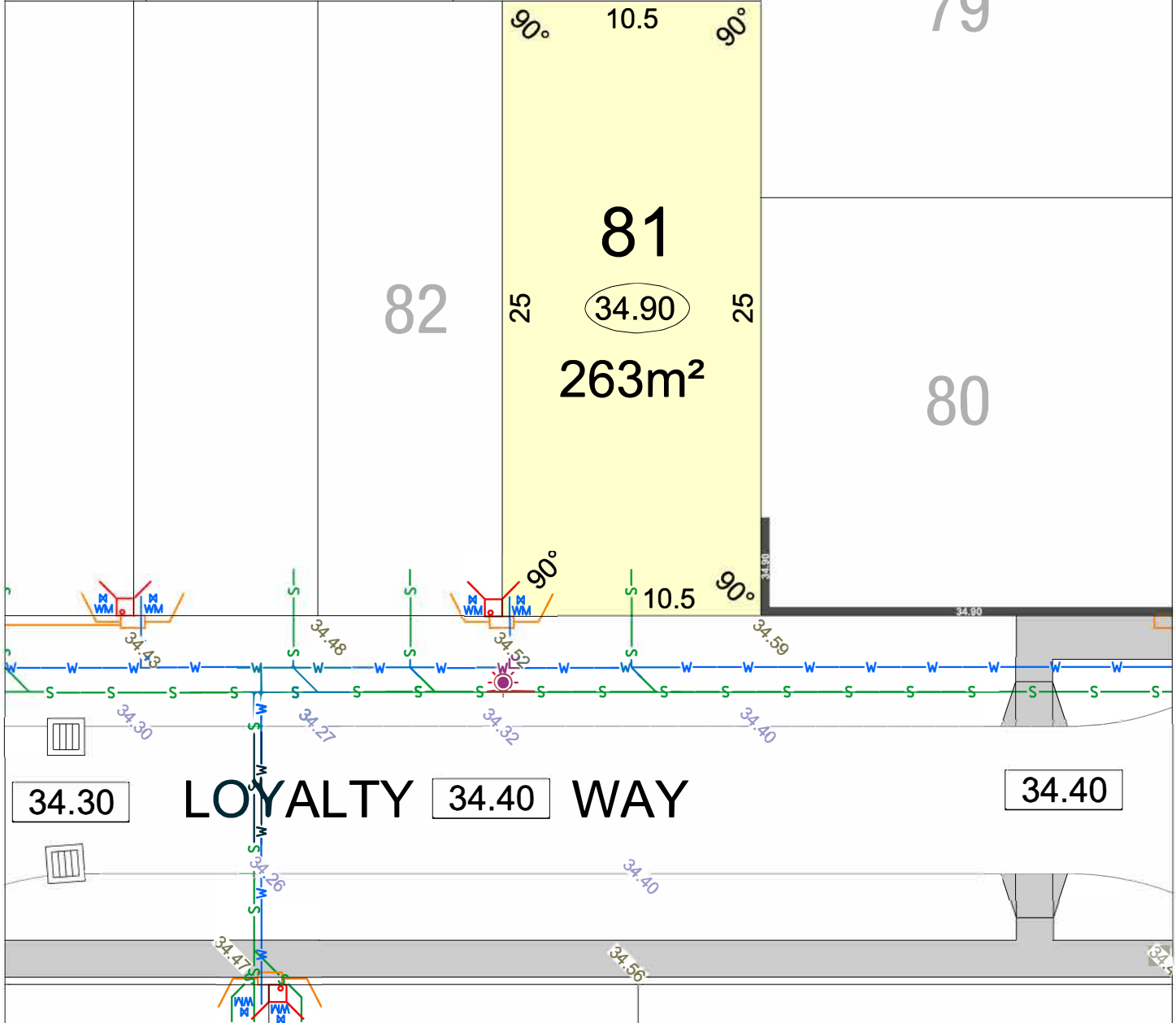
82

81

34.90

263m<sup>2</sup>

80



LEGEND	
	WATER
	WATER METER
	WATER HYDRANT
	WATER VALVE
	SEWER/ MANHOLE
	DRAINAGE
	PACKAGE A
	PACKAGE B
	PACKAGE C
	ACOUSTIC ATTENUATION PACKAGE REQUIREMENT (FOR SINGLE STOREY CONSTRUCTION)
	STREETLIGHTS
	PADMOUNT SITE
	POWER DOME MINI PILLAR
	POWER DOME UNIVERSAL PILLAR
	RETAINING WALL & HEIGHT
	NON-STRUCTURAL WALL
	OPTICOMM CONNECTION
	ACCESS RESTRICTION
	TOP OF KERB HEIGHT
	SPOT LEVEL
	PAD LEVEL
	ROAD LEVEL
	GARAGE LOCATION

STAGE 1

SCALE 1:250



**Depicted information subject to approvals and survey.**  
 All dimensions and areas are subject to survey. The particulars on this brochure are supplied for information only and shall not be taken as a representation in any respect on the part of the Vendor or its agent. Authorities should be consulted when services are contained within lot boundaries as building restrictions may apply. All retaining walls and associated easements are shown exaggerated for clarity.

MNG Ref: 101636lip-012d Date: 16/08/2024

parcel.



76

77

82

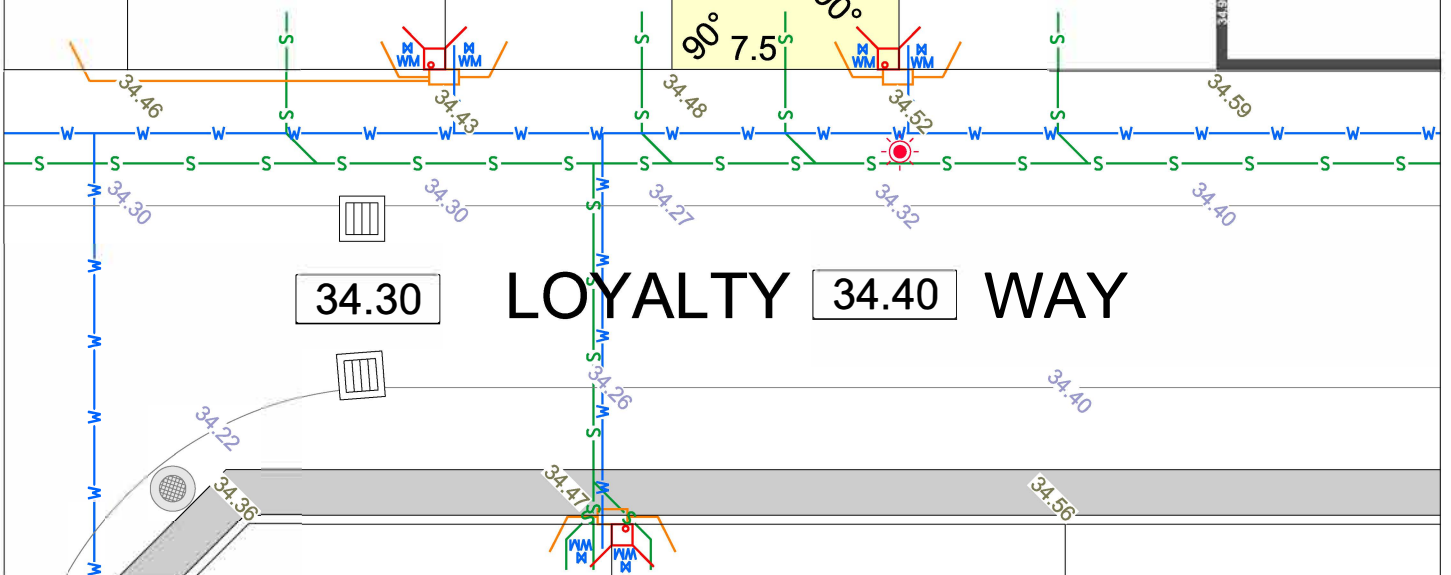
83

81

90° 7.5 90°

25 (34.90) 25  
188m<sup>2</sup>

90° 7.5 90°



**LEGEND**

- |                |  |                             |                               |                          |
|----------------|--|-----------------------------|-------------------------------|--------------------------|
| WATER          | DRAINAGE   | POWER DOME MINI PILLAR      | 26.54 RETAINING WALL & HEIGHT | 26.80 TOP OF KERB HEIGHT |
| WATER METER    | <b>ACOUSTIC ATTENUATION PACKAGE REQUIREMENT (FOR SINGLE STOREY CONSTRUCTION)</b> | POWER DOME UNIVERSAL PILLAR | NON-STRUCTURAL WALL           | 26.16 SPOT LEVEL         |
| WATER HYDRANT  | <b>(A) PACKAGE A</b>   | STREETLIGHTS                | OPTICOMM CONNECTION           | (26.32) PAD LEVEL        |
| WATER VALVE    | <b>(B) PACKAGE B</b>   | PADMOUNT SITE               | ACCESS RESTRICTION            | 25.40 ROAD LEVEL         |
| SEWER/ MANHOLE | <b>(C) PACKAGE C</b>   |                             |                               | GARAGE LOCATION          |

**STAGE 1**

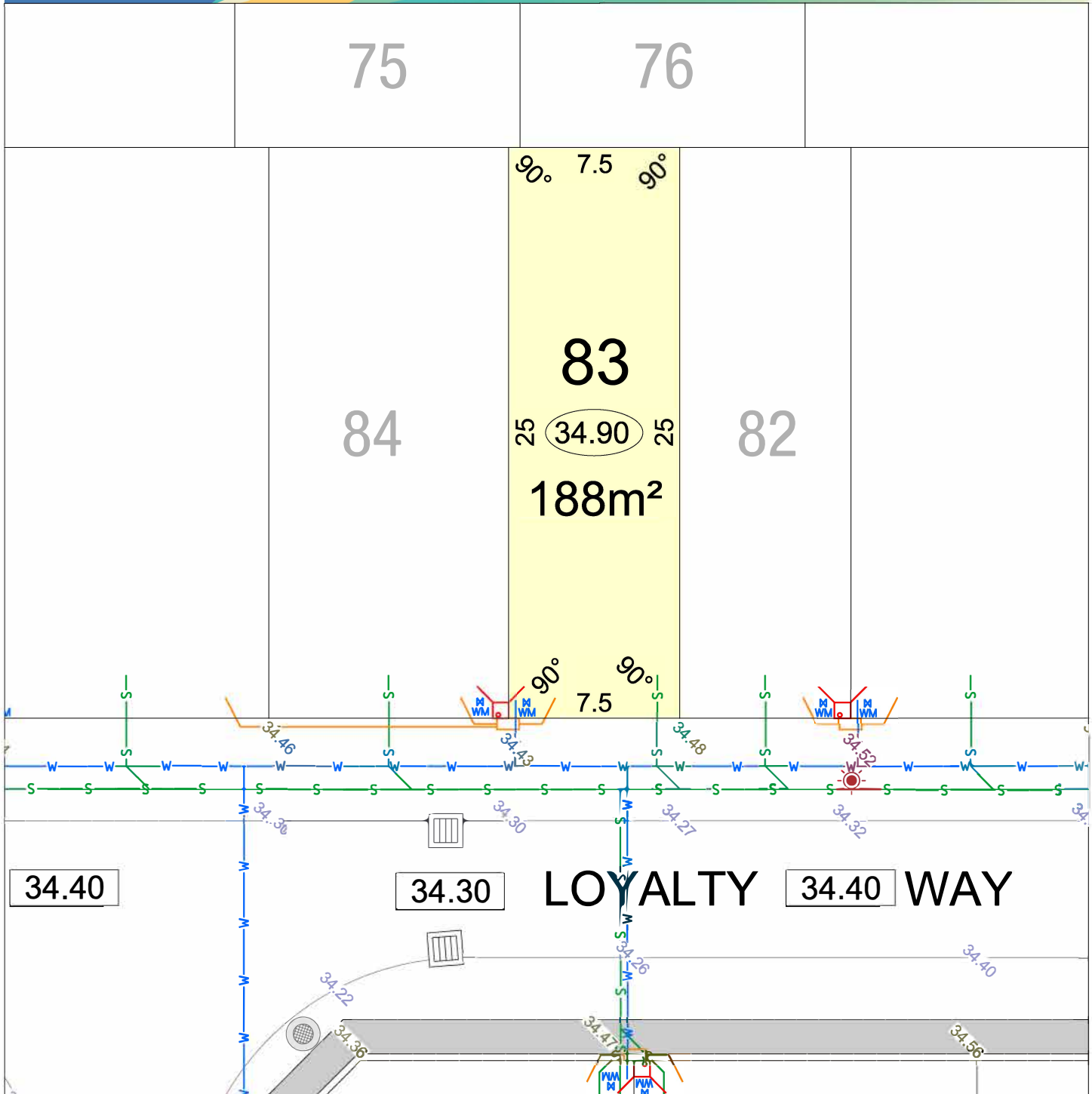


**SCALE 1:250**

**Depicted information subject to approvals and survey.**  
All dimensions and areas are subject to survey. The particulars on this brochure are supplied for information only and shall not be taken as a representation in any respect on the part of the Vendor or its agent. Authorities should be consulted when services are contained within lot boundaries as building restrictions may apply. All retaining walls and associated easements are shown exaggerated for clarity.

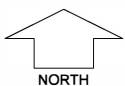
MNG Ref: 101636lip-012d Date: 16/08/2024

parcel.



LEGEND	
	WATER
	WATER METER
	WATER HYDRANT
	WATER VALVE
	SEWER/ MANHOLE
	DRAINAGE
	ACOUSTIC ATTENUATION PACKAGE REQUIREMENT (FOR SINGLE STOREY CONSTRUCTION)
	PACKAGE A
	PACKAGE B
	PACKAGE C
	POWER DOME MINI PILLAR
	POWER DOME UNIVERSAL PILLAR
	STREETLIGHTS
	PADMOUNT SITE
	RETAINING WALL & HEIGHT
	NON-STRUCTURAL WALL
	OPTICOMM CONNECTION
	ACCESS RESTRICTION
	TOP OF KERB HEIGHT
	SPOT LEVEL
	PAD LEVEL
	ROAD LEVEL
	GARAGE LOCATION

STAGE 1



SCALE 1:250

**Depicted information subject to approvals and survey.**  
 All dimensions and areas are subject to survey. The particulars on this brochure are supplied for information only and shall not be taken as a representation in any respect on the part of the Vendor or its agent. Authorities should be consulted when services are contained within lot boundaries as building restrictions may apply. All retaining walls and associated easements are shown exaggerated for clarity.

MNG Ref: 101636lip-012d Date: 16/08/2024

parcel.

75

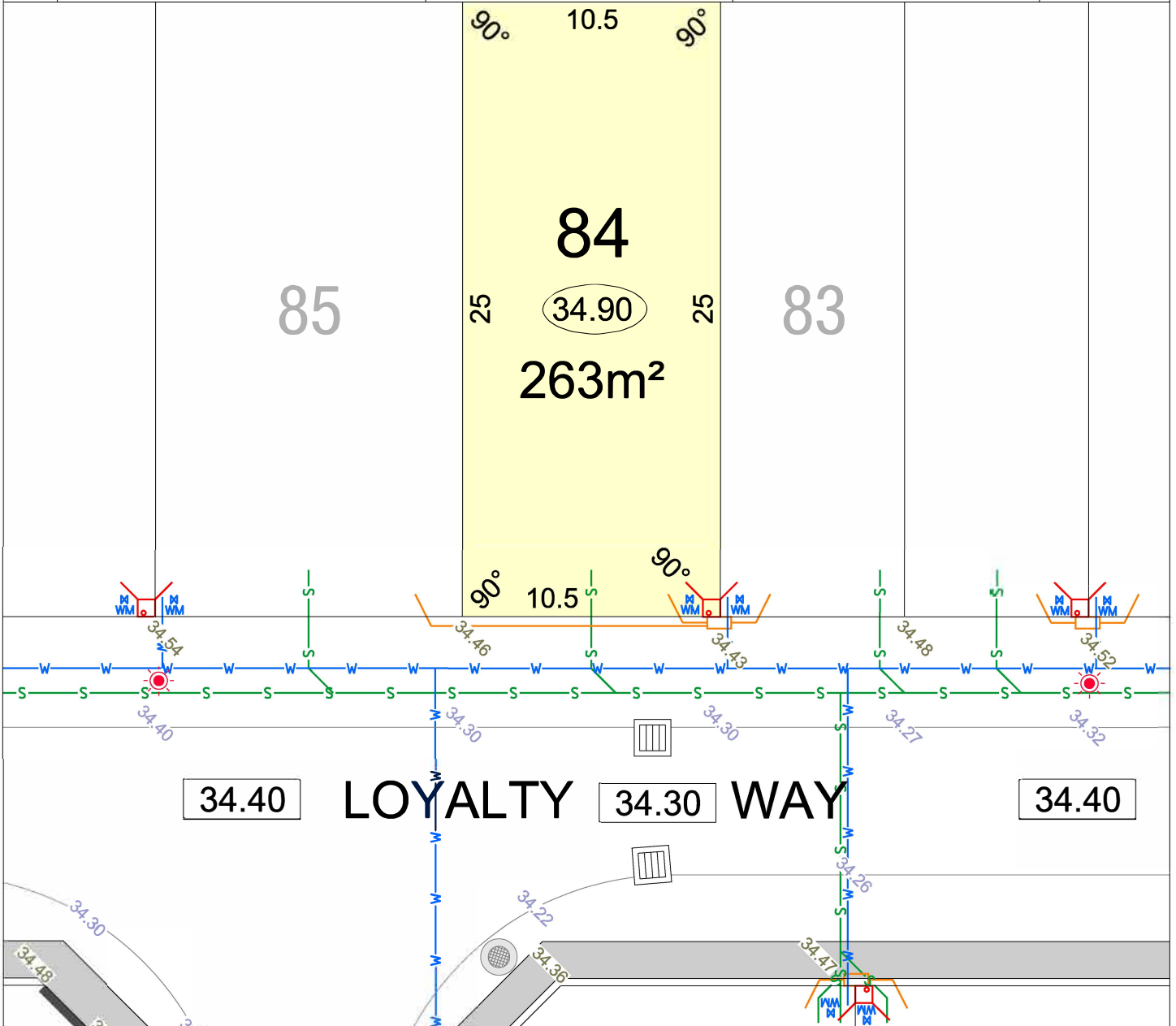
76

85

84

83

263m<sup>2</sup>

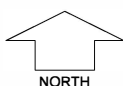


**LEGEND**

- |                |  |                             |                         |                    |
|----------------|--|-----------------------------|-------------------------|--------------------|
| WATER          | DRAINAGE   | POWER DOME MINI PILLAR      | RETAINING WALL & HEIGHT | TOP OF KERB HEIGHT |
| WATER METER    | <b>ACOUSTIC ATTENUATION PACKAGE REQUIREMENT (FOR SINGLE STOREY CONSTRUCTION)</b> | POWER DOME UNIVERSAL PILLAR | NON-STRUCTURAL WALL     | SPOT LEVEL         |
| WATER HYDRANT  | <b>(A) PACKAGE A</b>   | STREETLIGHTS                | OPTICOMM CONNECTION     | PAD LEVEL          |
| WATER VALVE    | <b>(B) PACKAGE B</b>   | PADMOUNT SITE               | ACCESS RESTRICTION      | ROAD LEVEL         |
| SEWER/ MANHOLE | <b>(C) PACKAGE C</b>   |                             |                         | GARAGE LOCATION    |

**STAGE 1**

**SCALE 1:250**



**Depicted information subject to approvals and survey.**  
 All dimensions and areas are subject to survey. The particulars on this brochure are supplied for information only and shall not be taken as a representation in any respect on the part of the Vendor or its agent. Authorities should be consulted when services are contained within lot boundaries as building restrictions may apply. All retaining walls and associated easements are shown exaggerated for clarity.

MNG Ref: 101636lip-012d Date: 16/08/2024

parcel.

74

75

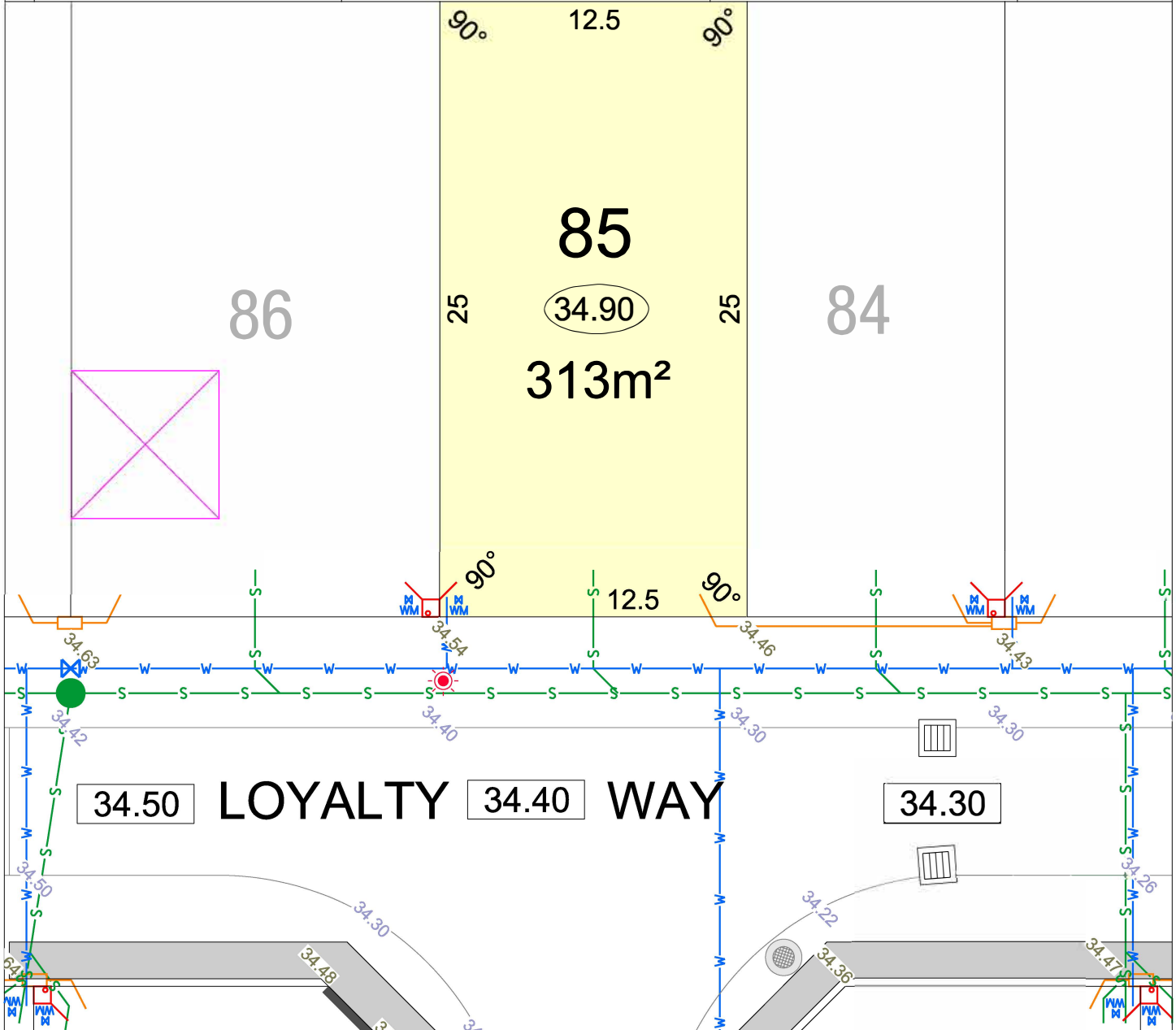
86

85

84

313m<sup>2</sup>

34.90



**LEGEND**

- |                |  |                             |                         |                    |
|----------------|--|-----------------------------|-------------------------|--------------------|
| WATER          | DRAINAGE   | POWER DOME MINI PILLAR      | RETAINING WALL & HEIGHT | TOP OF KERB HEIGHT |
| WATER METER    | <b>ACOUSTIC ATTENUATION PACKAGE REQUIREMENT (FOR SINGLE STOREY CONSTRUCTION)</b> | POWER DOME UNIVERSAL PILLAR | NON-STRUCTURAL WALL     | SPOT LEVEL         |
| WATER HYDRANT  | <b>(A) PACKAGE A</b>   | STREETLIGHTS                | OPTICOMM CONNECTION     | PAD LEVEL          |
| WATER VALVE    | <b>(B) PACKAGE B</b>   | PADMOUNT SITE               | ACCESS RESTRICTION      | ROAD LEVEL         |
| SEWER/ MANHOLE | <b>(C) PACKAGE C</b>   |                             |                         | GARAGE LOCATION    |

**STAGE 1**

**SCALE 1:250**



**Depicted information subject to approvals and survey.**  
 All dimensions and areas are subject to survey. The particulars on this brochure are supplied for information only and shall not be taken as a representation in any respect on the part of the Vendor or its agent. Authorities should be consulted when services are contained within lot boundaries as building restrictions may apply. All retaining walls and associated easements are shown exaggerated for clarity.

MNG Ref: 101636lip-012d Date: 16/08/2024

parcel.

73

74

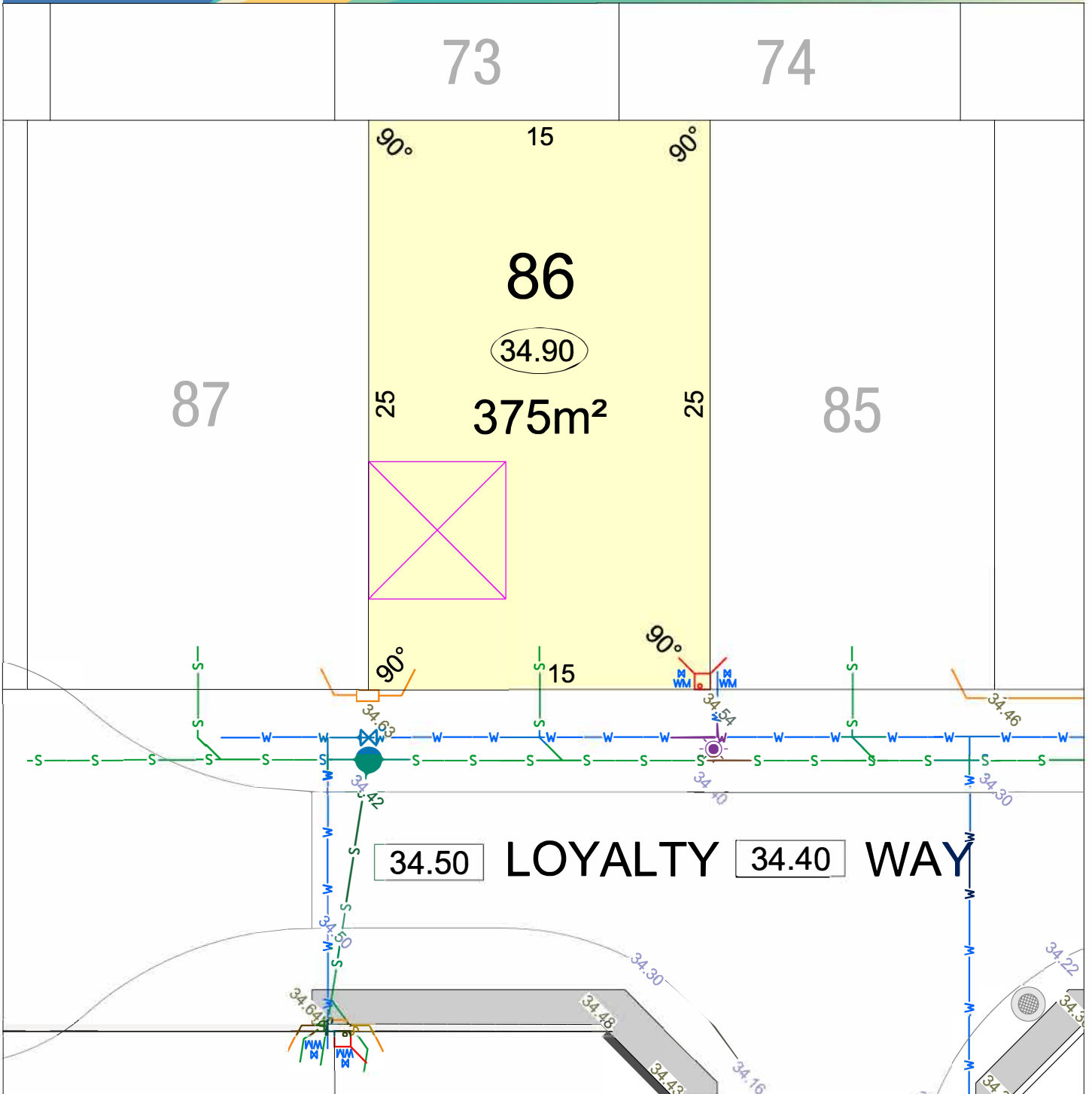
87

86

34.90

375m<sup>2</sup>

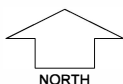
85



**LEGEND**

- |                |  |                             |                         |                    |
|----------------|--|-----------------------------|-------------------------|--------------------|
| WATER          | DRAINAGE   | POWER DOME MINI PILLAR      | RETAINING WALL & HEIGHT | TOP OF KERB HEIGHT |
| WATER METER    | <b>ACOUSTIC ATTENUATION PACKAGE REQUIREMENT (FOR SINGLE STOREY CONSTRUCTION)</b> | POWER DOME UNIVERSAL PILLAR | NON-STRUCTURAL WALL     | SPOT LEVEL         |
| WATER HYDRANT  | <b>(A)</b> PACKAGE A   | STREETLIGHTS                | OPTICOMM CONNECTION     | PAD LEVEL          |
| WATER VALVE    | <b>(B)</b> PACKAGE B   | PADMOUNT SITE               | ACCESS RESTRICTION      | ROAD LEVEL         |
| SEWER/ MANHOLE | <b>(C)</b> PACKAGE C   |                             | GARAGE LOCATION         |                    |

**STAGE 1**

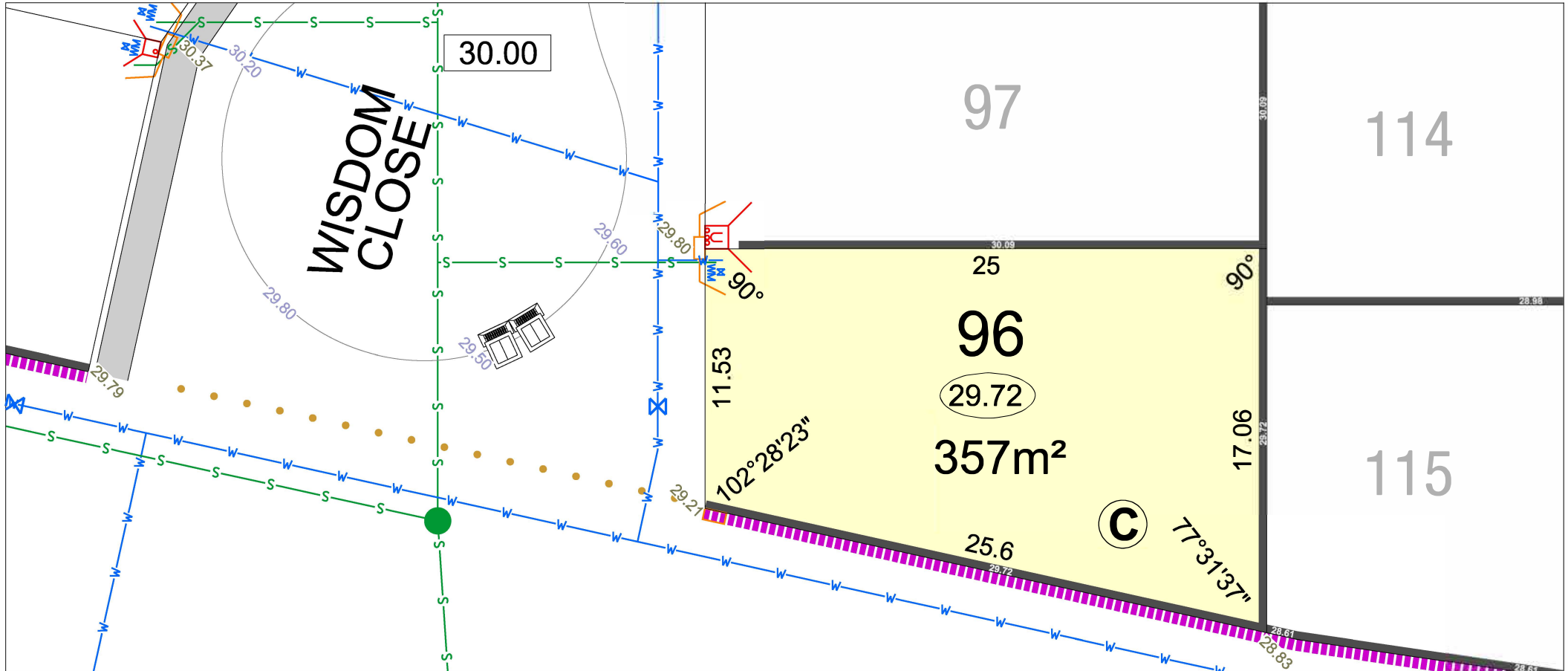


**SCALE 1:250**

**Depicted information subject to approvals and survey.**  
 All dimensions and areas are subject to survey. The particulars on this brochure are supplied for information only and shall not be taken as a representation in any respect on the part of the Vendor or its agent. Authorities should be consulted when services are contained within lot boundaries as building restrictions may apply. All retaining walls and associated easements are shown exaggerated for clarity.

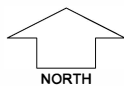
⚡ **MNG** Ref: 101636lip-012d Date: 16/08/2024

parcel.



LEGEND		DRAINAGE		OPTICOMM CONNECTION		ACoustic ATTENUATION PACKAGE REQUIREMENT (FOR SINGLE STOREY CONSTRUCTION)	
WATER	WATER VALVE	DRAINAGE	OPTICOMM CONNECTION	PACKAGE A	WATER METER	GARAGE LOCATION	PACKAGE B
WATER HYDRANT	ROAD LEVEL	RETAINING WALL & HEIGHT	SEWER/ MANHOLE	PACKAGE C	WATER HYDRANT	GARAGE LOCATION	
		NON-STRUCTURAL WALL	POWER DOME MINI PILLAR	ACCESS RESTRICTION	WATER METER	ROAD LEVEL	
			POWER DOME UNIVERSAL PILLAR	PADMOUNT SITE	WATER HYDRANT	ROAD LEVEL	
			STREETLIGHTS	TOP OF KERB HEIGHT	WATER HYDRANT	ROAD LEVEL	
				SPOT LEVEL	WATER HYDRANT	ROAD LEVEL	
				PAD LEVEL	WATER HYDRANT	ROAD LEVEL	

STAGE 1

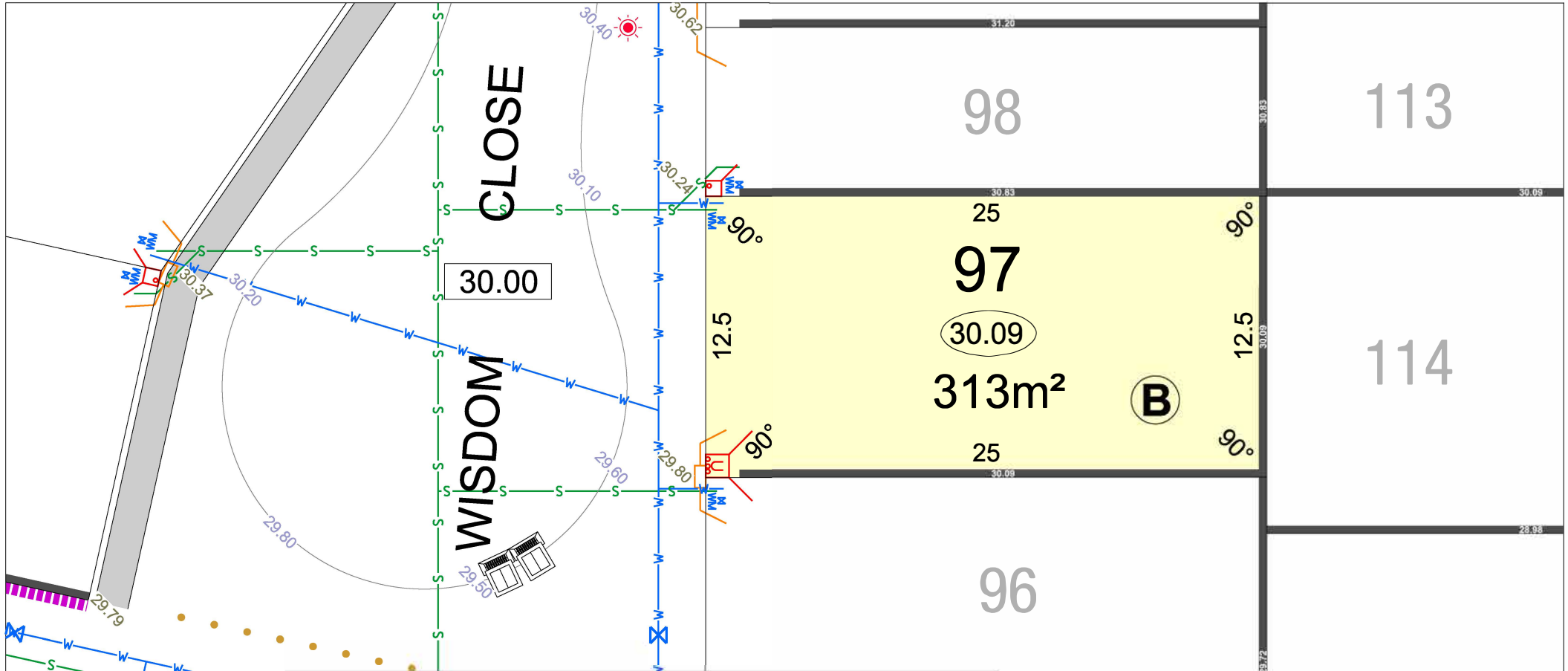


SCALE 1:250

Depicted information subject to approvals and survey.

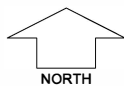
All dimensions and areas are subject to survey. The particulars on this brochure are supplied for information only and shall not be taken as a representation in any respect on the part of the Vendor or its agent. Authorities should be consulted when services are contained within lot boundaries as building restrictions may apply. All retaining walls and associated easements are shown exaggerated for clarity.

parcel.



LEGEND		DRAINAGE		OPTICOMM CONNECTION		ACOUSTIC ATTENUATION PACKAGE REQUIREMENT (FOR SINGLE STOREY CONSTRUCTION)	
WATER	WATER VALVE	DRAINAGE	POWER DOME MINI PILLAR	OPTICOMM CONNECTION	TOP OF KERB HEIGHT	(A) PACKAGE A (B) PACKAGE B (C) PACKAGE C	
WATER METER	GARAGE LOCATION	RETAINING WALL & HEIGHT	POWER DOME UNIVERSAL PILLAR	SEWER/ MANHOLE	SPOT LEVEL		
WATER HYDRANT	ROAD LEVEL	NON-STRUCTURAL WALL	STREETLIGHTS	ACCESS RESTRICTION	PAD LEVEL		

STAGE 1

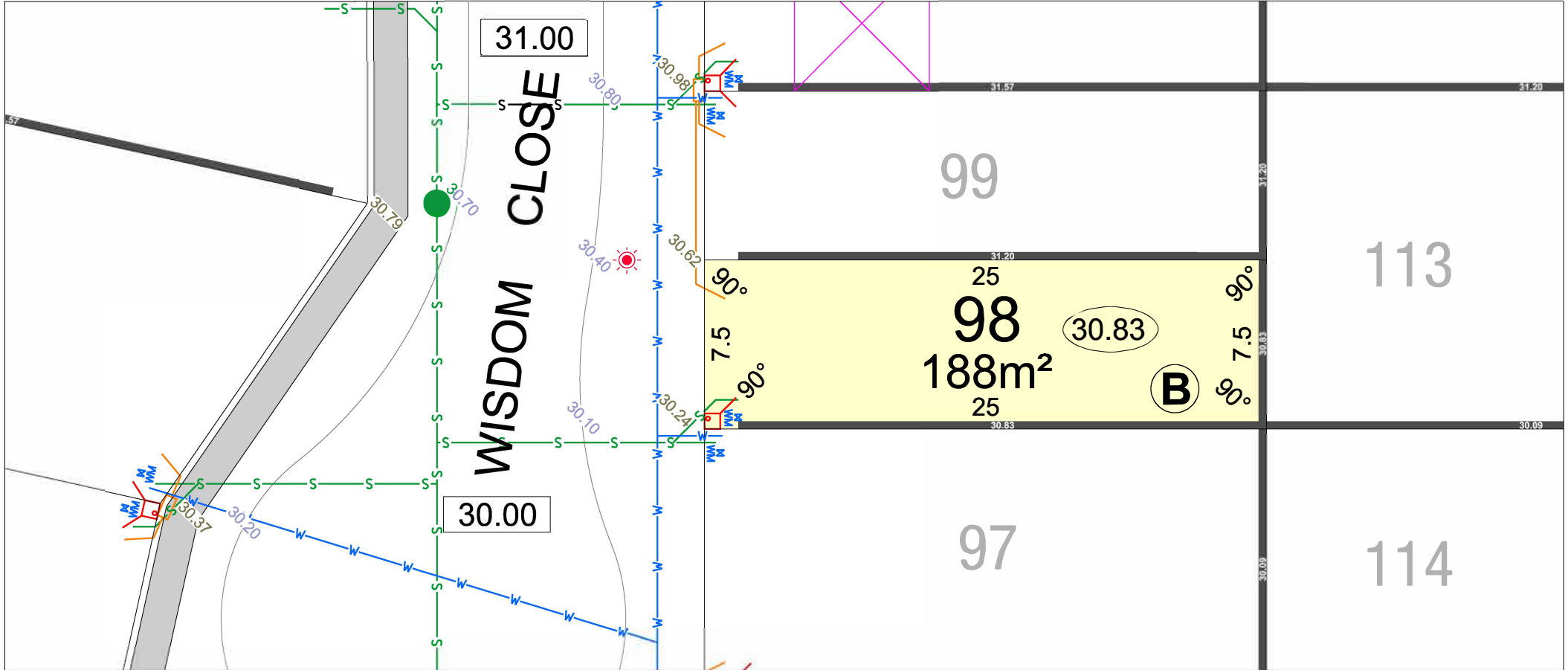


SCALE 1:250

Depicted information subject to approvals and survey.

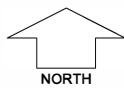
All dimensions and areas are subject to survey. The particulars on this brochure are supplied for information only and shall not be taken as a representation in any respect on the part of the Vendor or its agent. Authorities should be consulted when services are contained within lot boundaries as building restrictions may apply. All retaining walls and associated easements are shown exaggerated for clarity.

parcel.



LEGEND		DRAINAGE		POWER DOME		OPTICOMM CONNECTION		TOP OF KERB HEIGHT		ACOUSTIC ATTENUATION PACKAGE REQUIREMENT (FOR SINGLE STOREY CONSTRUCTION)	
WATER	WATER VALVE	DRAINAGE	POWER DOME MINI PILLAR	OPTICOMM CONNECTION	TOP OF KERB HEIGHT						
WATER METER	GARAGE LOCATION	RETAINING WALL & HEIGHT	POWER DOME UNIVERSAL PILLAR	SEWER/ MANHOLE	SPOT LEVEL						
WATER HYDRANT	ROAD LEVEL	NON-STRUCTURAL WALL	STREETLIGHTS	ACCESS RESTRICTION	PAD LEVEL						
<p>ⓐ PACKAGE A                  ⓑ PACKAGE B                  ⓒ PACKAGE C</p>											

STAGE 1



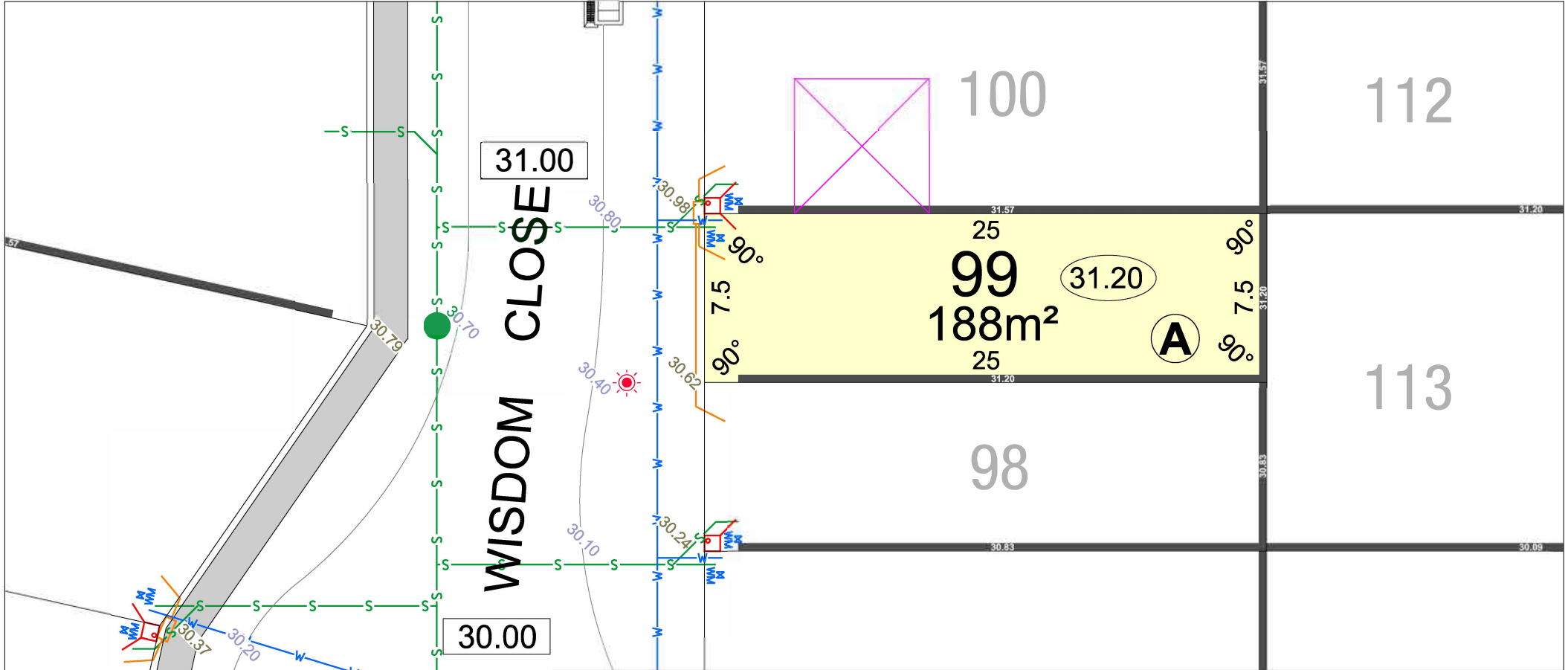
SCALE 1:250

**Depicted information subject to approvals and survey.**

All dimensions and areas are subject to survey. The particulars on this brochure are supplied for information only and shall not be taken as a representation in any respect on the part of the Vendor or its agent. Authorities should be consulted when services are contained within lot boundaries as building restrictions may apply. All retaining walls and associated easements are shown exaggerated for clarity.

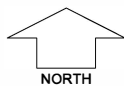
parcel.





LEGEND										
	WATER		WATER VALVE		DRAINAGE		POWER DOME MINI PILLAR		OPTICOMM CONNECTION	
	WATER METER		GARAGE LOCATION		RETAINING WALL & HEIGHT		POWER DOME UNIVERSAL PILLAR		ACCESS RESTRICTION	
	WATER HYDRANT		ROAD LEVEL		NON-STRUCTURAL WALL		STREETLIGHTS		PADMOUNT SITE	
									TOP OF KERB HEIGHT	
									SPOT LEVEL	
									PAD LEVEL	
									ACOUSTIC ATTENUATION PACKAGE REQUIREMENT (FOR SINGLE STOREY CONSTRUCTION)	
										PACKAGE A
										PACKAGE B
										PACKAGE C

STAGE 1

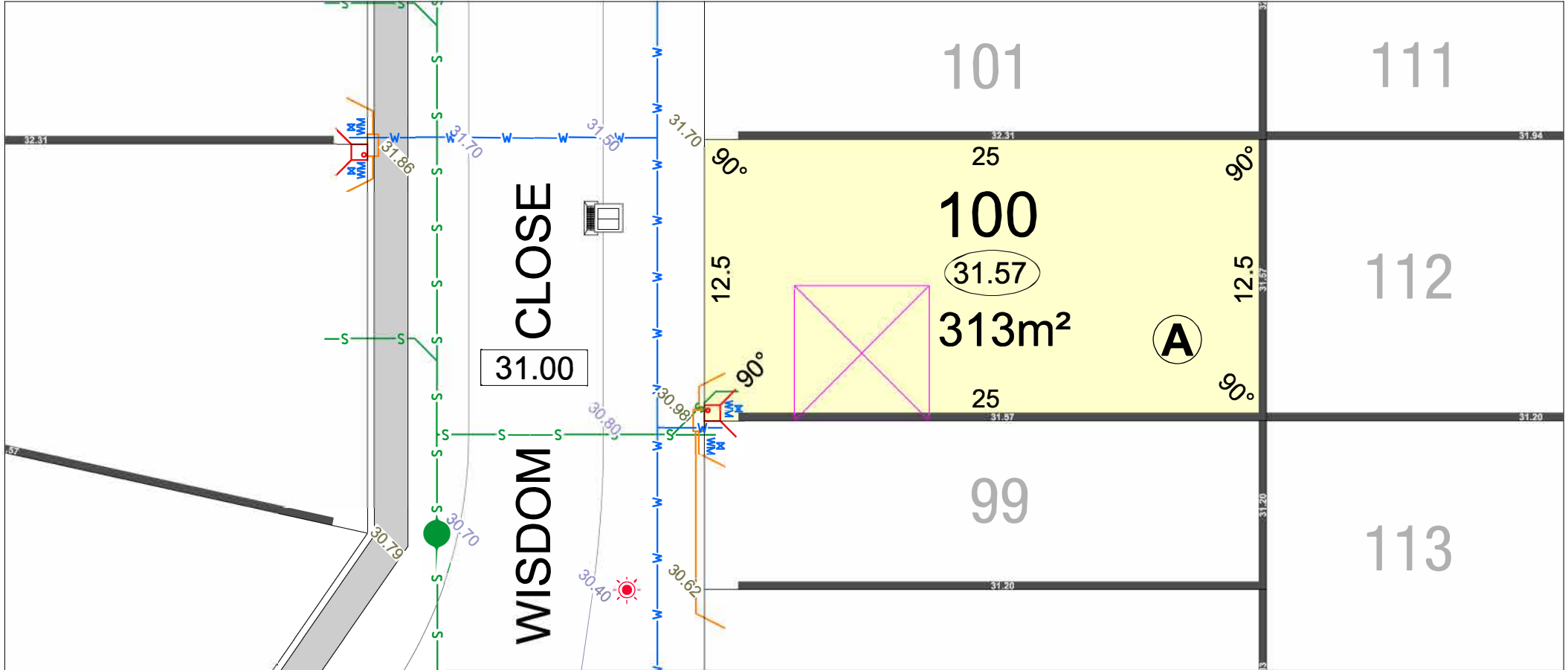


SCALE 1:250

**Depicted information subject to approvals and survey.**

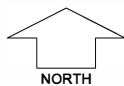
All dimensions and areas are subject to survey. The particulars on this brochure are supplied for information only and shall not be taken as a representation in any respect on the part of the Vendor or its agent. Authorities should be consulted when services are contained within lot boundaries as building restrictions may apply. All retaining walls and associated easements are shown exaggerated for clarity.

parcel.



LEGEND										
	WATER		WATER VALVE		DRAINAGE		OPTICOMM CONNECTION		TOP OF KERB HEIGHT	
	WATER METER		GARAGE LOCATION		RETAINING WALL & HEIGHT		SEWER/ MANHOLE		SPOT LEVEL	
	WATER HYDRANT		ROAD LEVEL		NON-STRUCTURAL WALL		ACCESS RESTRICTION		PAD LEVEL	
					POWER DOME MINI PILLAR		POWER DOME UNIVERSAL PILLAR		STREETLIGHTS	
					PADMOUNT SITE					
									ACOUSTIC ATTENUATION PACKAGE REQUIREMENT (FOR SINGLE STOREY CONSTRUCTION)	
										PACKAGE A
										PACKAGE B
										PACKAGE C

STAGE 1

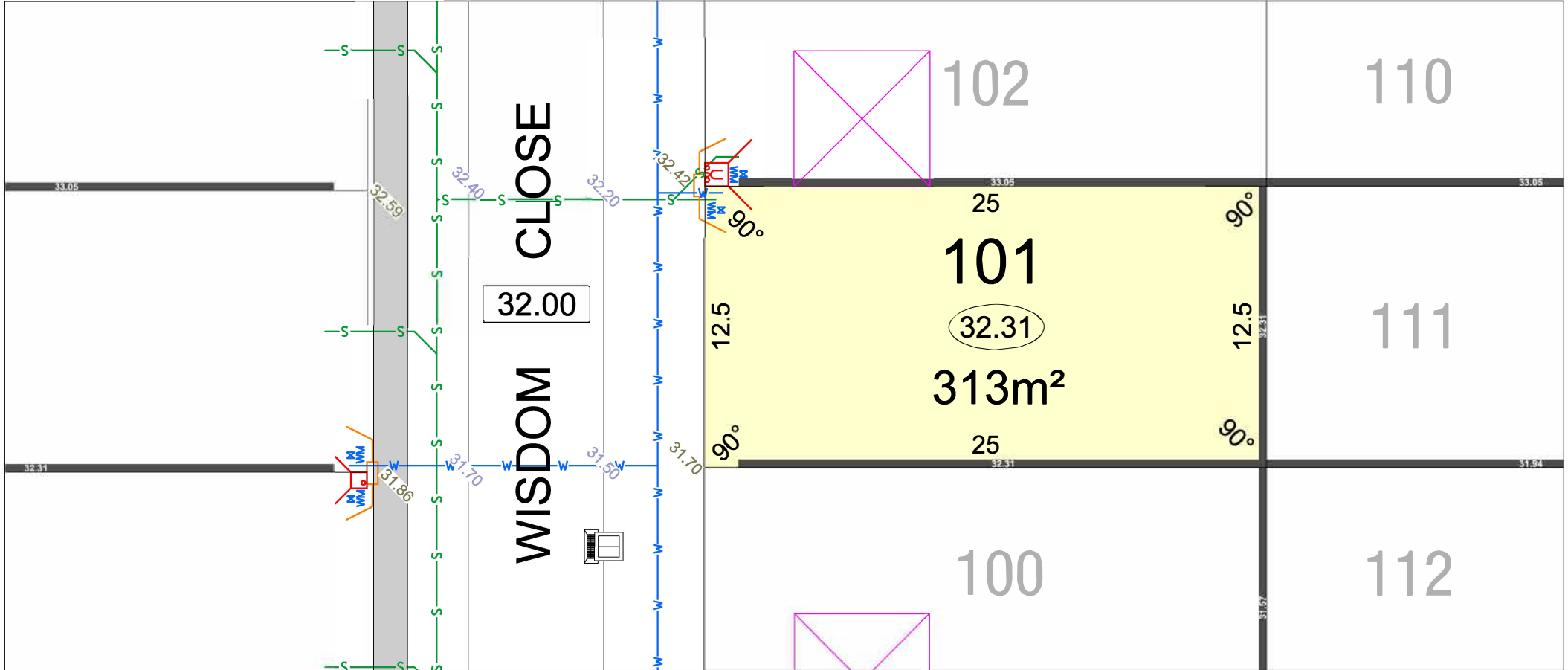


SCALE 1:250

**Depicted information subject to approvals and survey.**

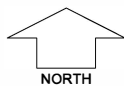
All dimensions and areas are subject to survey. The particulars on this brochure are supplied for information only and shall not be taken as a representation in any respect on the part of the Vendor or its agent. Authorities should be consulted when services are contained within lot boundaries as building restrictions may apply. All retaining walls and associated easements are shown exaggerated for clarity.

parcel.



LEGEND									
	WATER		WATER VALVE		DRAINAGE		OPTICOMM CONNECTION		TOP OF KERB HEIGHT
	WATER METER		GARAGE LOCATION		RETAINING WALL & HEIGHT		SEWER/ MANHOLE		SPOT LEVEL
	WATER HYDRANT		ROAD LEVEL		NON-STRUCTURAL WALL		ACCESS RESTRICTION		PAD LEVEL
							POWER DOME UNIVERSAL PILLAR		
							POWER DOME MINI PILLAR		
							STREETLIGHTS		
							PADMOUNT SITE		
									ACOUSTIC ATTENUATION PACKAGE REQUIREMENT (FOR SINGLE STOREY CONSTRUCTION)
									PACKAGE A
									PACKAGE B
									PACKAGE C

STAGE 1

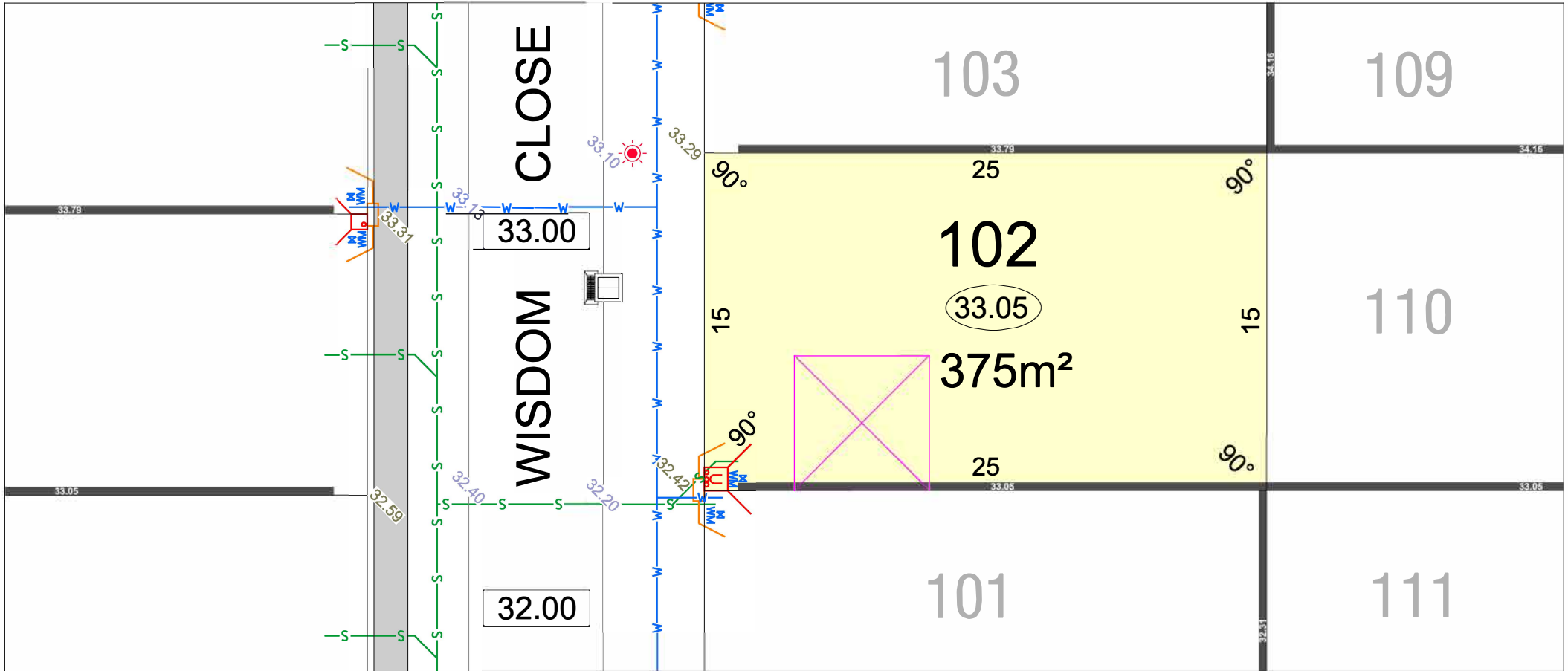


SCALE 1:250

**Depicted information subject to approvals and survey.**

All dimensions and areas are subject to survey. The particulars on this brochure are supplied for information only and shall not be taken as a representation in any respect on the part of the Vendor or its agent. Authorities should be consulted when services are contained within lot boundaries as building restrictions may apply. All retaining walls and associated easements are shown exaggerated for clarity.

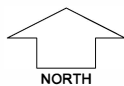
parcel.



**LEGEND**

- |               |                 |                         |                             |                     |                    |   |
|---------------|-----------------|-------------------------|-----------------------------|---------------------|--------------------|---|
| WATER         | WATER VALVE     | DRAINAGE                | POWER DOME MINI PILLAR      | OPTICOMM CONNECTION | TOP OF KERB HEIGHT | ACOUSTIC ATTENUATION PACKAGE REQUIREMENT (FOR SINGLE STOREY CONSTRUCTION) |
| WATER METER   | GARAGE LOCATION | RETAINING WALL & HEIGHT | POWER DOME UNIVERSAL PILLAR | SEWER/ MANHOLE      | SPOT LEVEL         |   |
| WATER HYDRANT | ROAD LEVEL      | NON-STRUCTURAL WALL     | STREETLIGHTS                | ACCESS RESTRICTION  | PAD LEVEL          |   |

STAGE 1

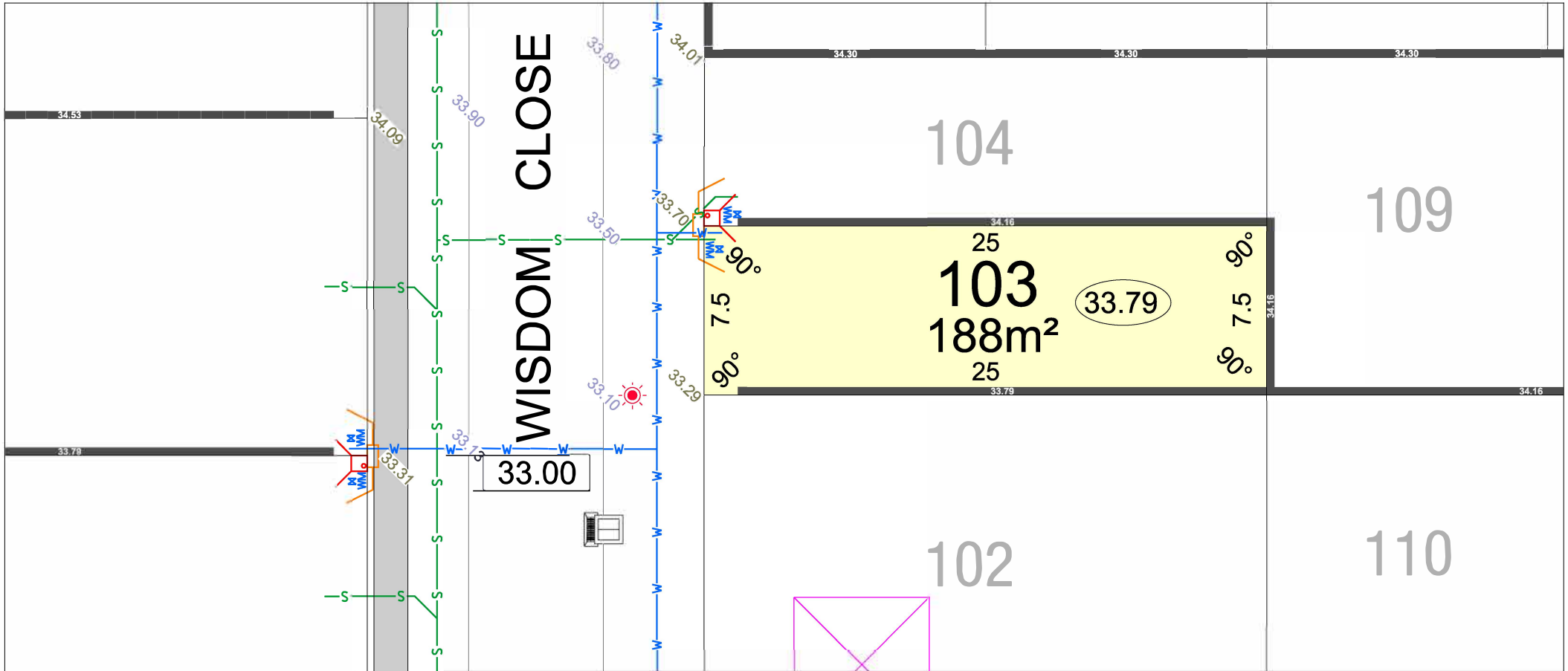


SCALE 1:250

**Depicted information subject to approvals and survey.**

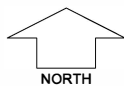
All dimensions and areas are subject to survey. The particulars on this brochure are supplied for information only and shall not be taken as a representation in any respect on the part of the Vendor or its agent. Authorities should be consulted when services are contained within lot boundaries as building restrictions may apply. All retaining walls and associated easements are shown exaggerated for clarity.

parcel.



LEGEND		DRAINAGE		POWER DOME		TOP OF KERB HEIGHT		ACOUSTIC ATTENUATION PACKAGE REQUIREMENT (FOR SINGLE STOREY CONSTRUCTION)		
	WATER		SEWER/ MANHOLE		MINI PILLAR		24.99	TOP OF KERB HEIGHT		PACKAGE A
	WATER METER		RETAINING WALL & HEIGHT		UNIVERSAL PILLAR		26.16	SPOT LEVEL		PACKAGE B
	WATER HYDRANT		NON-STRUCTURAL WALL		STREETLIGHTS			PAD LEVEL		PACKAGE C
	GARAGE LOCATION		RETAINING WALL & HEIGHT		POWER DOME MINI PILLAR			OPTICOMM CONNECTION		
	ROAD LEVEL		RETAINING WALL & HEIGHT		POWER DOME UNIVERSAL PILLAR			SEWER/ MANHOLE		

STAGE 1

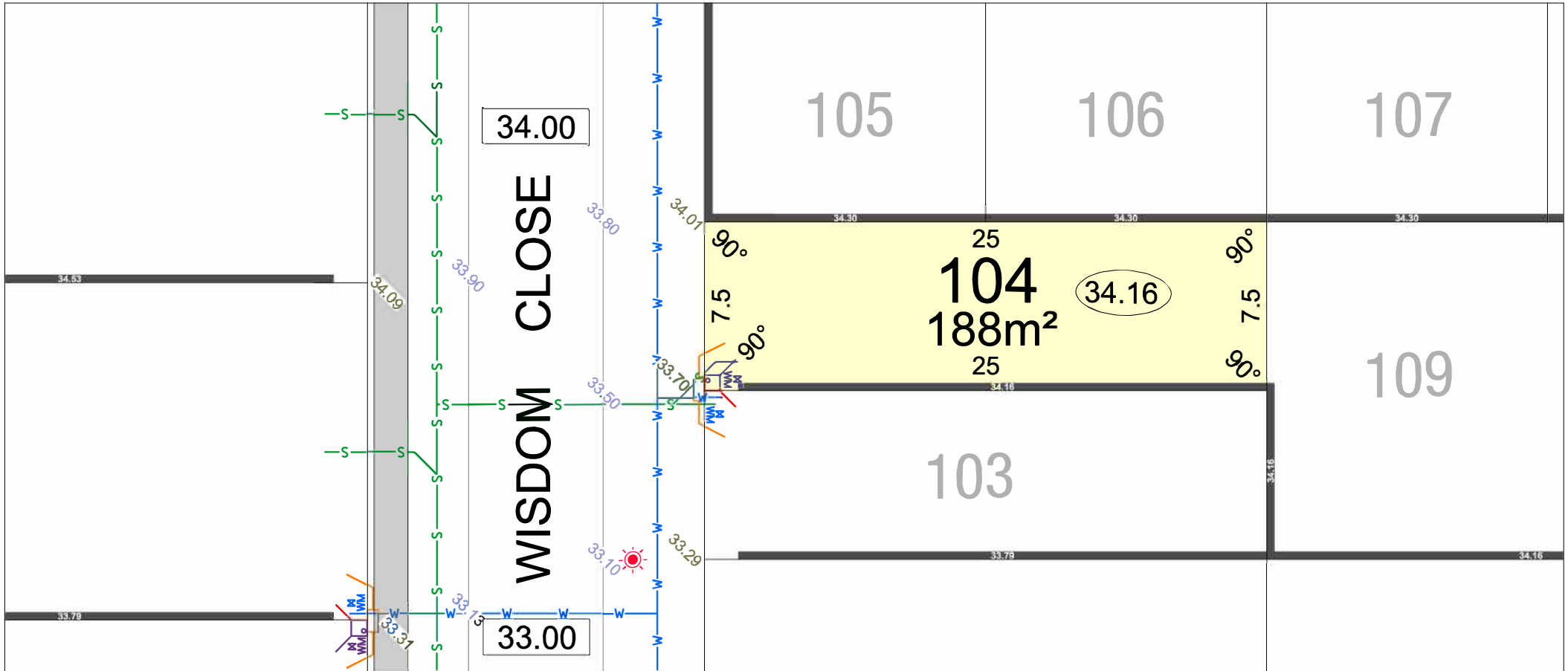


SCALE 1:250

**Depicted information subject to approvals and survey.**

All dimensions and areas are subject to survey. The particulars on this brochure are supplied for information only and shall not be taken as a representation in any respect on the part of the Vendor or its agent. Authorities should be consulted when services are contained within lot boundaries as building restrictions may apply. All retaining walls and associated easements are shown exaggerated for clarity.

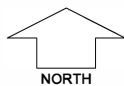
parcel.



**LEGEND**

- |               |                 |                         |                             |                     |                    |   |           |
|---------------|-----------------|-------------------------|-----------------------------|---------------------|--------------------|---|-----------|
| WATER         | WATER VALVE     | DRAINAGE                | POWER DOME MINI PILLAR      | OPTICOMM CONNECTION | TOP OF KERB HEIGHT | ACOUSTIC ATTENUATION PACKAGE REQUIREMENT (FOR SINGLE STOREY CONSTRUCTION) |           |
| WATER METER   | GARAGE LOCATION | RETAINING WALL & HEIGHT | POWER DOME UNIVERSAL PILLAR | SEWER/ MANHOLE      | SPOT LEVEL         |   | PACKAGE A |
| WATER HYDRANT | ROAD LEVEL      | NON-STRUCTURAL WALL     | STREETLIGHTS                | ACCESS RESTRICTION  | PAD LEVEL          |   | PACKAGE B |
|               |                 |                         |                             | PADMOUNT SITE       |                    | PACKAGE C   |           |

STAGE 1



SCALE 1:250

**Depicted information subject to approvals and survey.**

All dimensions and areas are subject to survey. The particulars on this brochure are supplied for information only and shall not be taken as a representation in any respect on the part of the Vendor or its agent. Authorities should be consulted when services are contained within lot boundaries as building restrictions may apply. All retaining walls and associated easements are shown exaggerated for clarity.

parcel.

## ENCHANTMENT CIRCUIT

33.75

34.10

WISDOM CLOSE

34.00

105

34.30

308m<sup>2</sup>

106

104

### LEGEND

- WATER
- WATER METER
- WATER HYDRANT
- WATER VALVE
- SEWER/ MANHOLE

- DRAINAGE
- ACOUSTIC ATTENUATION PACKAGE REQUIREMENT (FOR SINGLE STOREY CONSTRUCTION)**
- PACKAGE A
- PACKAGE B
- PACKAGE C

- POWER DOME MINI PILLAR
- POWER DOME UNIVERSAL PILLAR
- STREETLIGHTS
- PADMOUNT SITE

- RETAINING WALL & HEIGHT
- NON-STRUCTURAL WALL
- OPTICOMM CONNECTION
- ACCESS RESTRICTION

- TOP OF KERB HEIGHT
- SPOT LEVEL
- PAD LEVEL
- ROAD LEVEL
- GARAGE LOCATION

STAGE 1



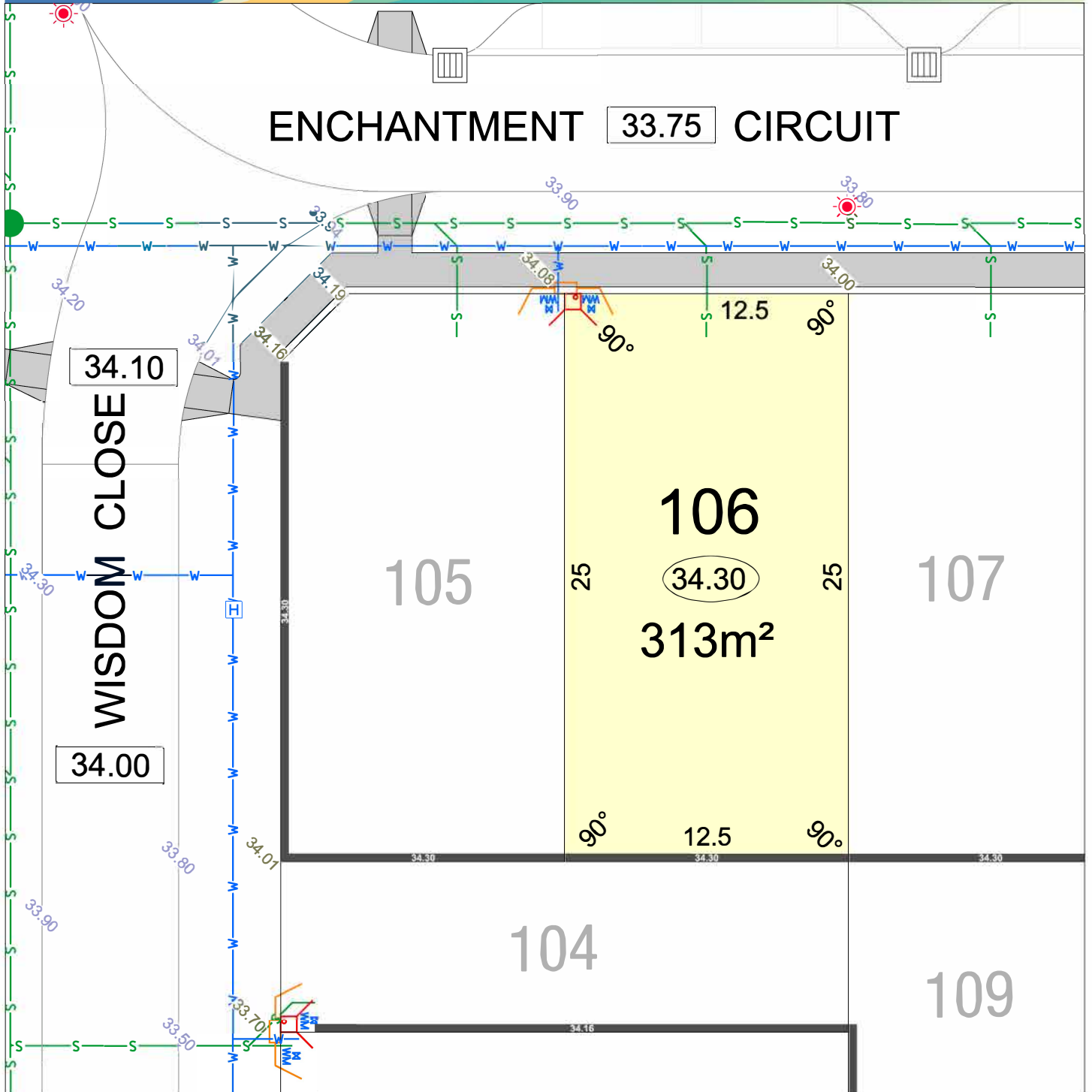
SCALE 1:250

Depicted information subject to approvals and survey.

All dimensions and areas are subject to survey. The particulars on this brochure are supplied for information only and shall not be taken as a representation in any respect on the part of the Vendor or its agent. Authorities should be consulted when services are contained within lot boundaries as building restrictions may apply. All retaining walls and associated easements are shown exaggerated for clarity.

MNG Ref: 101636lip-012d Date: 16/08/2024

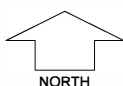
parcel.



**LEGEND**

- |                |  |                             |                               |                          |
|----------------|--|-----------------------------|-------------------------------|--------------------------|
| WATER          | DRAINAGE   | POWER DOME MINI PILLAR      | 26.54 RETAINING WALL & HEIGHT | 26.80 TOP OF KERB HEIGHT |
| WATER METER    | <b>ACOUSTIC ATTENUATION PACKAGE REQUIREMENT (FOR SINGLE STOREY CONSTRUCTION)</b> | POWER DOME UNIVERSAL PILLAR | NON-STRUCTURAL WALL           | 26.16 SPOT LEVEL         |
| WATER HYDRANT  | PACKAGE A  | STREETLIGHTS                | OPTICOMM CONNECTION           | 26.32 PAD LEVEL          |
| WATER VALVE    | PACKAGE B  | PADMOUNT SITE               | ACCESS RESTRICTION            | 25.40 ROAD LEVEL         |
| SEWER/ MANHOLE | PACKAGE C  |                             |                               | GARAGE LOCATION          |

STAGE 1



SCALE 1:250

**Depicted information subject to approvals and survey.**  
 All dimensions and areas are subject to survey. The particulars on this brochure are supplied for information only and shall not be taken as a representation in any respect on the part of the Vendor or its agent. Authorities should be consulted when services are contained within lot boundaries as building restrictions may apply. All retaining walls and associated easements are shown exaggerated for clarity.  
 MNG Ref: 101636lip-012d Date: 16/08/2024

parcel.

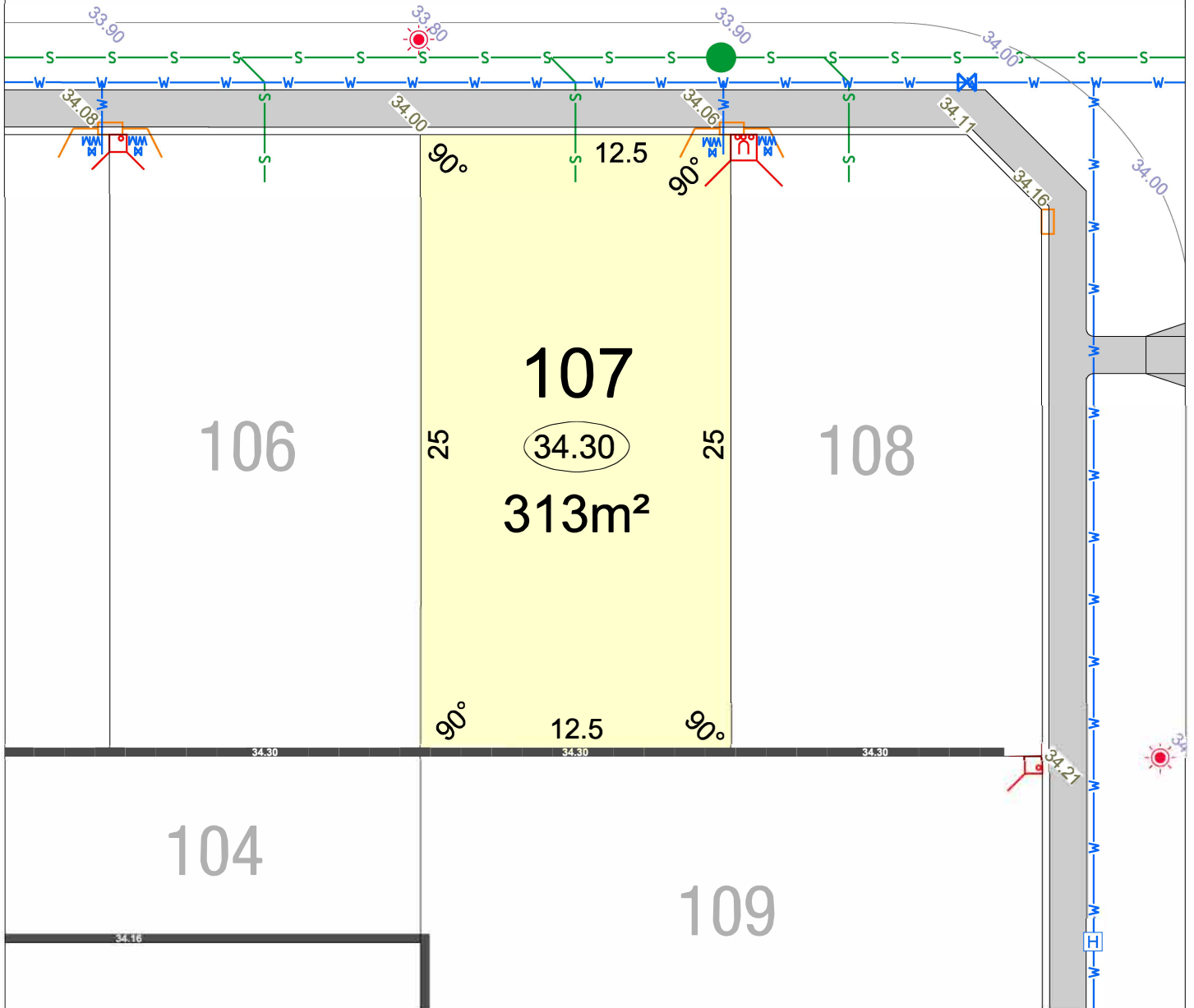


33.75

ENCHANTMENT

33.75

CIRCUIT



**LEGEND**

- |                |  |                             |                               |                          |
|----------------|--|-----------------------------|-------------------------------|--------------------------|
| WATER          | DRAINAGE   | POWER DOME MINI PILLAR      | 26.54 RETAINING WALL & HEIGHT | 26.80 TOP OF KERB HEIGHT |
| WATER METER    | <b>ACOUSTIC ATTENUATION PACKAGE REQUIREMENT (FOR SINGLE STOREY CONSTRUCTION)</b> | POWER DOME UNIVERSAL PILLAR | NON-STRUCTURAL WALL           | 26.16 SPOT LEVEL         |
| WATER HYDRANT  | <b>(A) PACKAGE A</b>   | STREETLIGHTS                | OPTICOMM CONNECTION           | 26.32 PAD LEVEL          |
| WATER VALVE    | <b>(B) PACKAGE B</b>   | PADMOUNT SITE               | ACCESS RESTRICTION            | 25.40 ROAD LEVEL         |
| SEWER/ MANHOLE | <b>(C) PACKAGE C</b>   |                             | GARAGE LOCATION               |                          |

STAGE 1



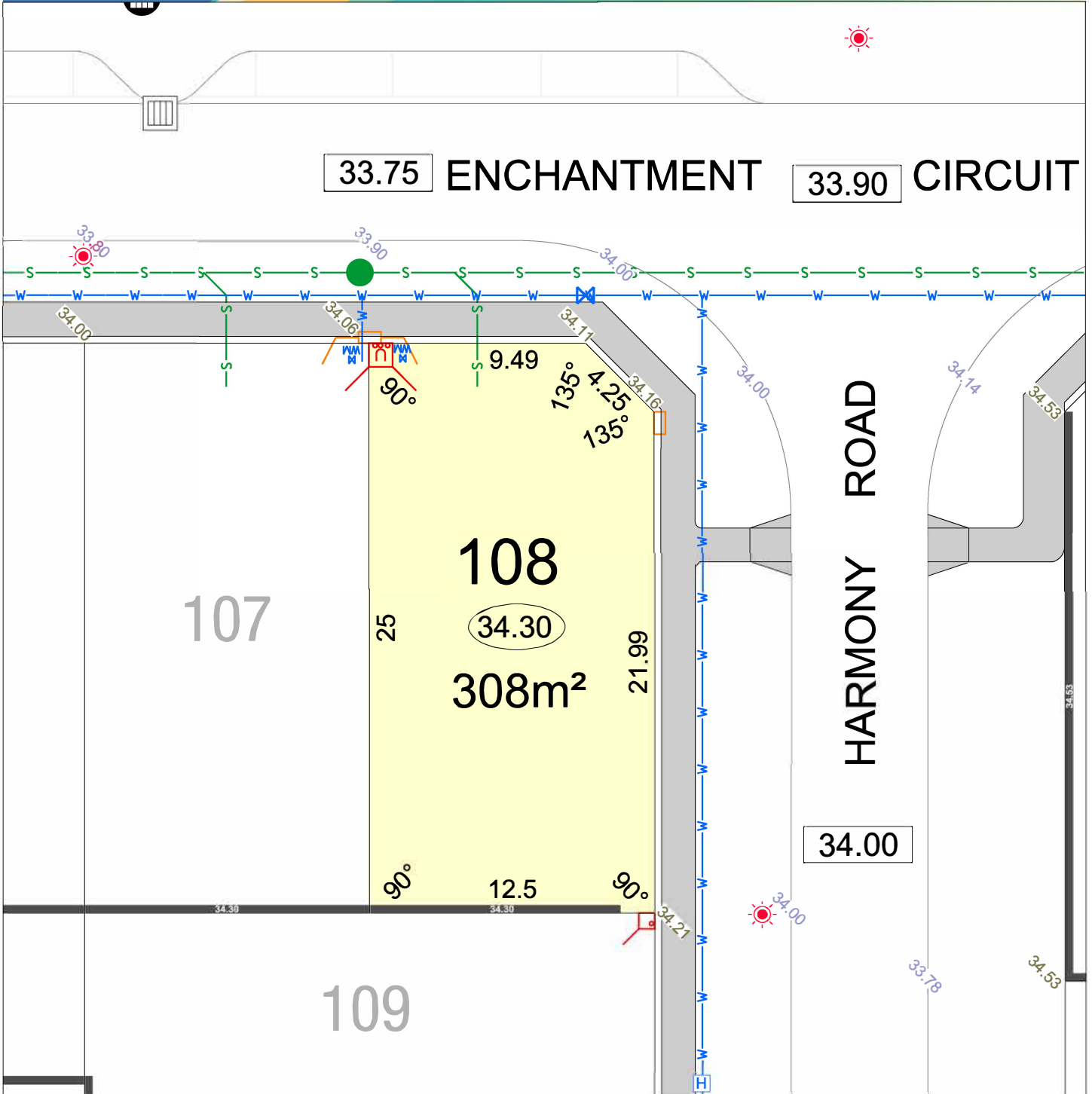
SCALE 1:250

**Depicted information subject to approvals and survey.**

All dimensions and areas are subject to survey. The particulars on this brochure are supplied for information only and shall not be taken as a representation in any respect on the part of the Vendor or its agent. Authorities should be consulted when services are contained within lot boundaries as building restrictions may apply. All retaining walls and associated easements are shown exaggerated for clarity.

MNG Ref: 101636lip-012d Date: 16/08/2024

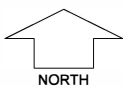
parcel.



**LEGEND**

WATER	DRAINAGE	POWER DOME MINI PILLAR	RETAINING WALL & HEIGHT	TOP OF KERB HEIGHT
WATER METER	<b>ACOUSTIC ATTENUATION PACKAGE REQUIREMENT (FOR SINGLE STOREY CONSTRUCTION)</b>	POWER DOME UNIVERSAL PILLAR	NON-STRUCTURAL WALL	SPOT LEVEL
WATER HYDRANT	<b>(A) PACKAGE A</b>	STREETLIGHTS	OPTICOMM CONNECTION	PAD LEVEL
WATER VALVE	<b>(B) PACKAGE B</b>	STREETLIGHTS	ACCESS RESTRICTION	ROAD LEVEL
SEWER/ MANHOLE	<b>(C) PACKAGE C</b>	PADMOUNT SITE	ACCESS RESTRICTION	GARAGE LOCATION

**STAGE 1**



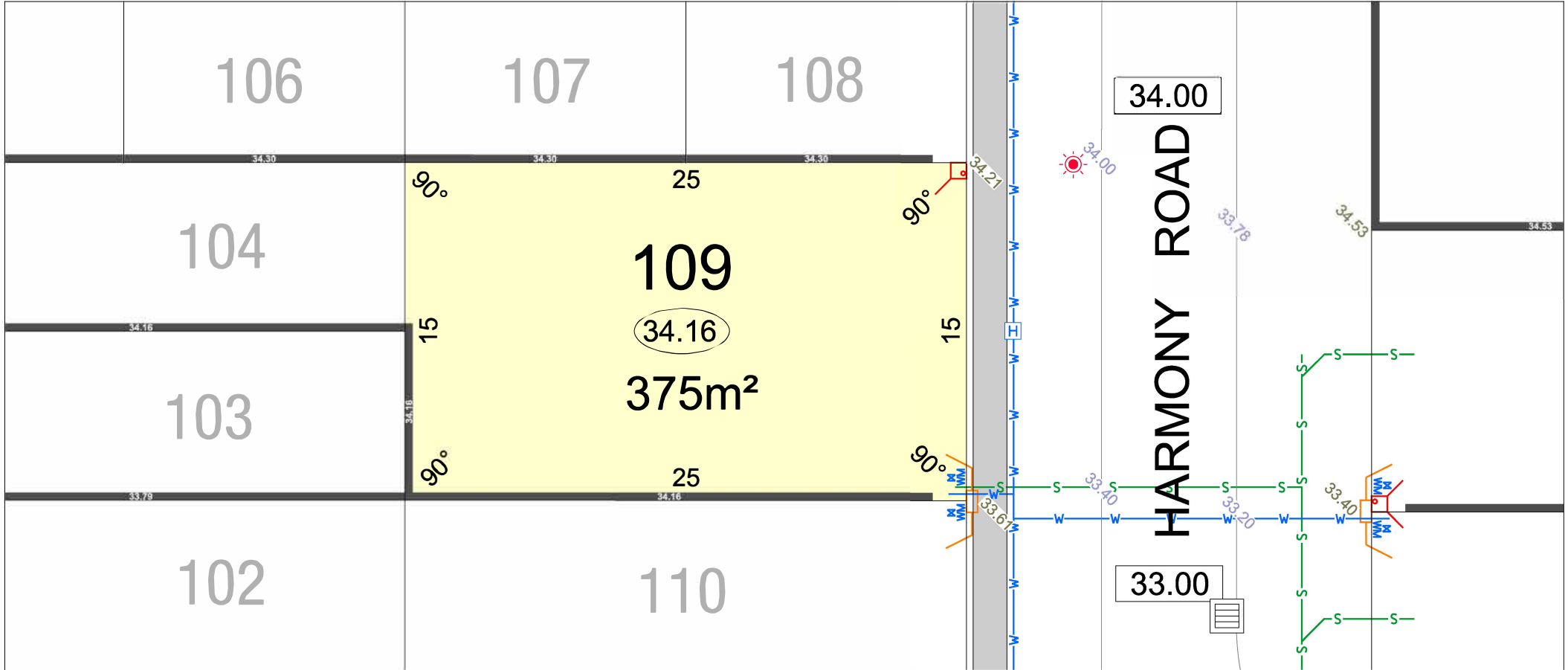
**SCALE 1:250**

**Depicted information subject to approvals and survey.**

All dimensions and areas are subject to survey. The particulars on this brochure are supplied for information only and shall not be taken as a representation in any respect on the part of the Vendor or its agent. Authorities should be consulted when services are contained within lot boundaries as building restrictions may apply. All retaining walls and associated easements are shown exaggerated for clarity.

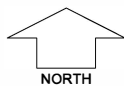
MNG Ref: 101636lip-012d Date: 16/08/2024

parcel.



LEGEND		DRAINAGE		POWER DOME		OPTICOMM CONNECTION		TOP OF KERB HEIGHT		ACOUSTIC ATTENUATION PACKAGE REQUIREMENT (FOR SINGLE STOREY CONSTRUCTION)	
WATER	WATER VALVE	DRAINAGE	POWER DOME MINI PILLAR	OPTICOMM CONNECTION	TOP OF KERB HEIGHT						
WATER METER	GARAGE LOCATION	RETAINING WALL & HEIGHT	POWER DOME UNIVERSAL PILLAR	SEWER/ MANHOLE	SPOT LEVEL						
WATER HYDRANT	ROAD LEVEL	NON-STRUCTURAL WALL	STREETLIGHTS	ACCESS RESTRICTION	PAD LEVEL						

STAGE 1

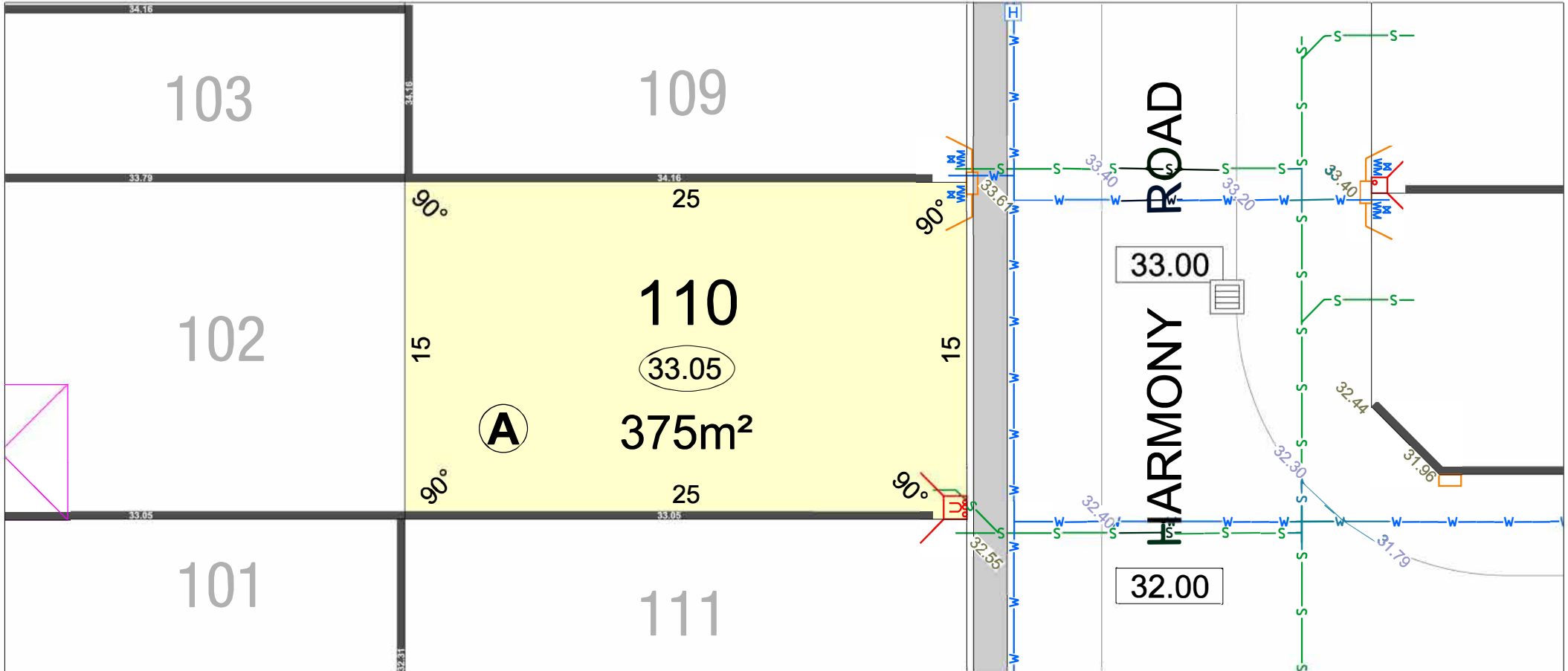


SCALE 1:250

**Depicted information subject to approvals and survey.**

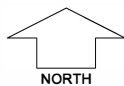
All dimensions and areas are subject to survey. The particulars on this brochure are supplied for information only and shall not be taken as a representation in any respect on the part of the Vendor or its agent. Authorities should be consulted when services are contained within lot boundaries as building restrictions may apply. All retaining walls and associated easements are shown exaggerated for clarity.

parcel.



LEGEND		DRAINAGE		POWER DOME		OPTICOMM CONNECTION		TOP OF KERB HEIGHT		ACOUSTIC ATTENUATION PACKAGE REQUIREMENT (FOR SINGLE STOREY CONSTRUCTION)		
	WATER		WATER VALVE		POWER DOME MINI PILLAR		OPTICOMM CONNECTION		24.99	TOP OF KERB HEIGHT		PACKAGE A
	WATER METER		POWER DOME UNIVERSAL PILLAR		ACCESS RESTRICTION		SEWER/ MANHOLE		26.16	SPOT LEVEL		PACKAGE B
	WATER HYDRANT		STREETLIGHTS		PADMOUNT SITE		ACCESS RESTRICTION		26.32	PAD LEVEL		PACKAGE C
	GARAGE LOCATION		RETAINING WALL & HEIGHT									
	25.40	ROAD LEVEL		NON-STRUCTURAL WALL								

STAGE 1

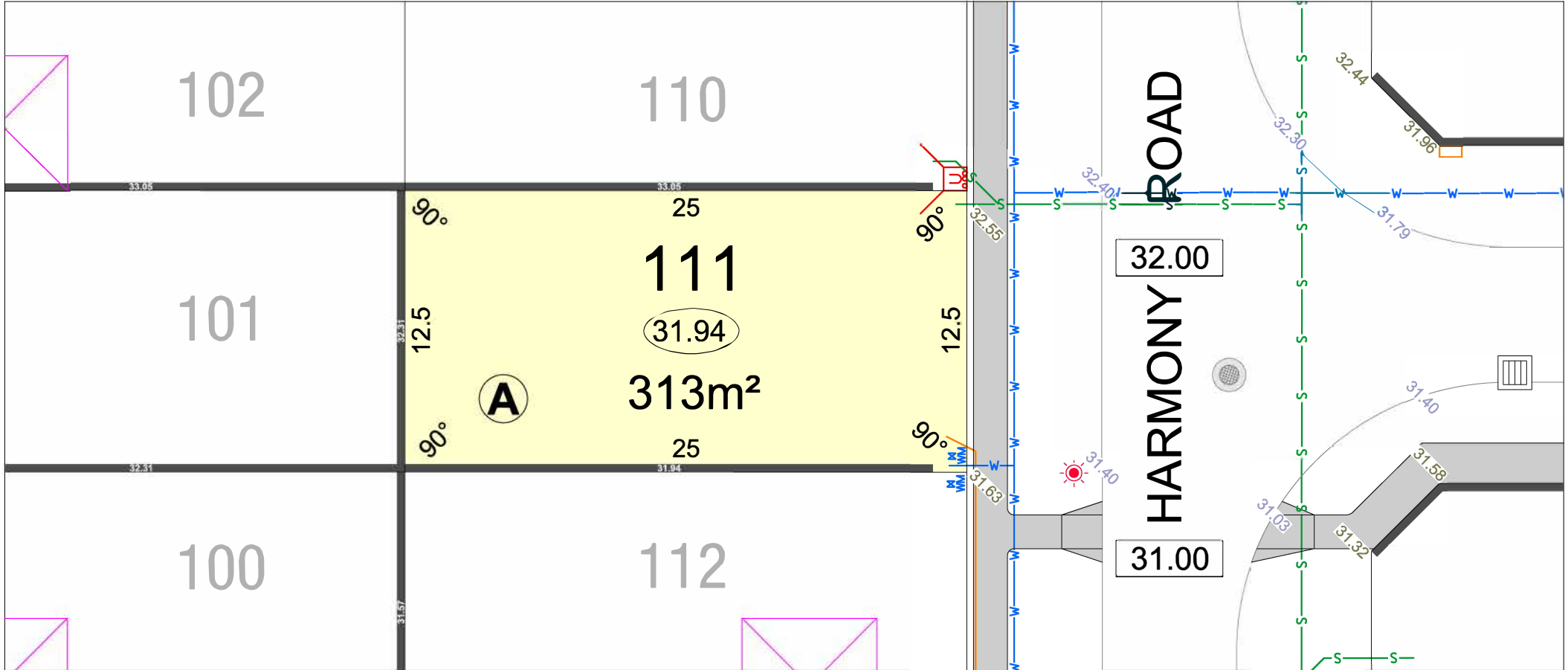


SCALE 1:250

**Depicted information subject to approvals and survey.**

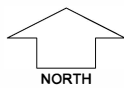
All dimensions and areas are subject to survey. The particulars on this brochure are supplied for information only and shall not be taken as a representation in any respect on the part of the Vendor or its agent. Authorities should be consulted when services are contained within lot boundaries as building restrictions may apply. All retaining walls and associated easements are shown exaggerated for clarity.

parcel.



LEGEND		DRAINAGE		POWER DOME		OPTICOMM CONNECTION		ACoustic ATTENUATION PACKAGE REQUIREMENT (FOR SINGLE STOREY CONSTRUCTION)	
	WATER		RETAINING WALL & HEIGHT		MINI PILLAR		SEWER/ MANHOLE		PACKAGE A
	WATER METER		NON-STRUCTURAL WALL		UNIVERSAL PILLAR		ACCESS RESTRICTION		PACKAGE B
	WATER HYDRANT				STREETLIGHTS		PADMOUNT SITE		PACKAGE C
	GARAGE LOCATION						TOP OF KERB HEIGHT		
	ROAD LEVEL						SPOT LEVEL		
							PAD LEVEL		

STAGE 1

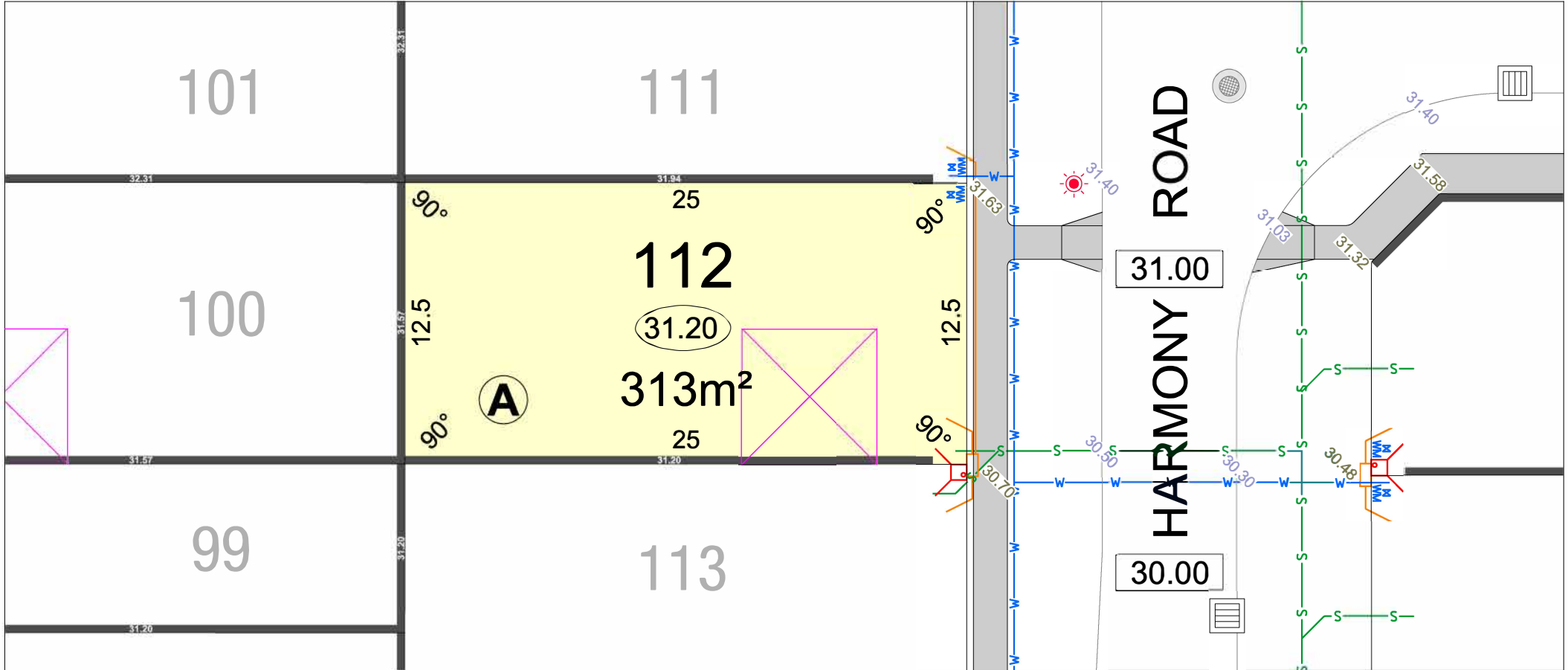


SCALE 1:250

**Depicted information subject to approvals and survey.**

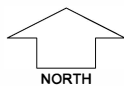
All dimensions and areas are subject to survey. The particulars on this brochure are supplied for information only and shall not be taken as a representation in any respect on the part of the Vendor or its agent. Authorities should be consulted when services are contained within lot boundaries as building restrictions may apply. All retaining walls and associated easements are shown exaggerated for clarity.

parcel.



LEGEND		DRAINAGE		POWER DOME		OPTICOMM CONNECTION		TOP OF KERB HEIGHT		ACOUSTIC ATTENUATION PACKAGE REQUIREMENT (FOR SINGLE STOREY CONSTRUCTION)	
	WATER		WATER VALVE		POWER DOME MINI PILLAR		OPTICOMM CONNECTION		TOP OF KERB HEIGHT		PACKAGE A
	WATER METER		RETAINING WALL & HEIGHT		POWER DOME UNIVERSAL PILLAR		SEWER/ MANHOLE		SPOT LEVEL		PACKAGE B
	WATER HYDRANT		NON-STRUCTURAL WALL		STREETLIGHTS		ACCESS RESTRICTION		PAD LEVEL		PACKAGE C
	GARAGE LOCATION						PADMOUNT SITE				
	ROAD LEVEL										

STAGE 1

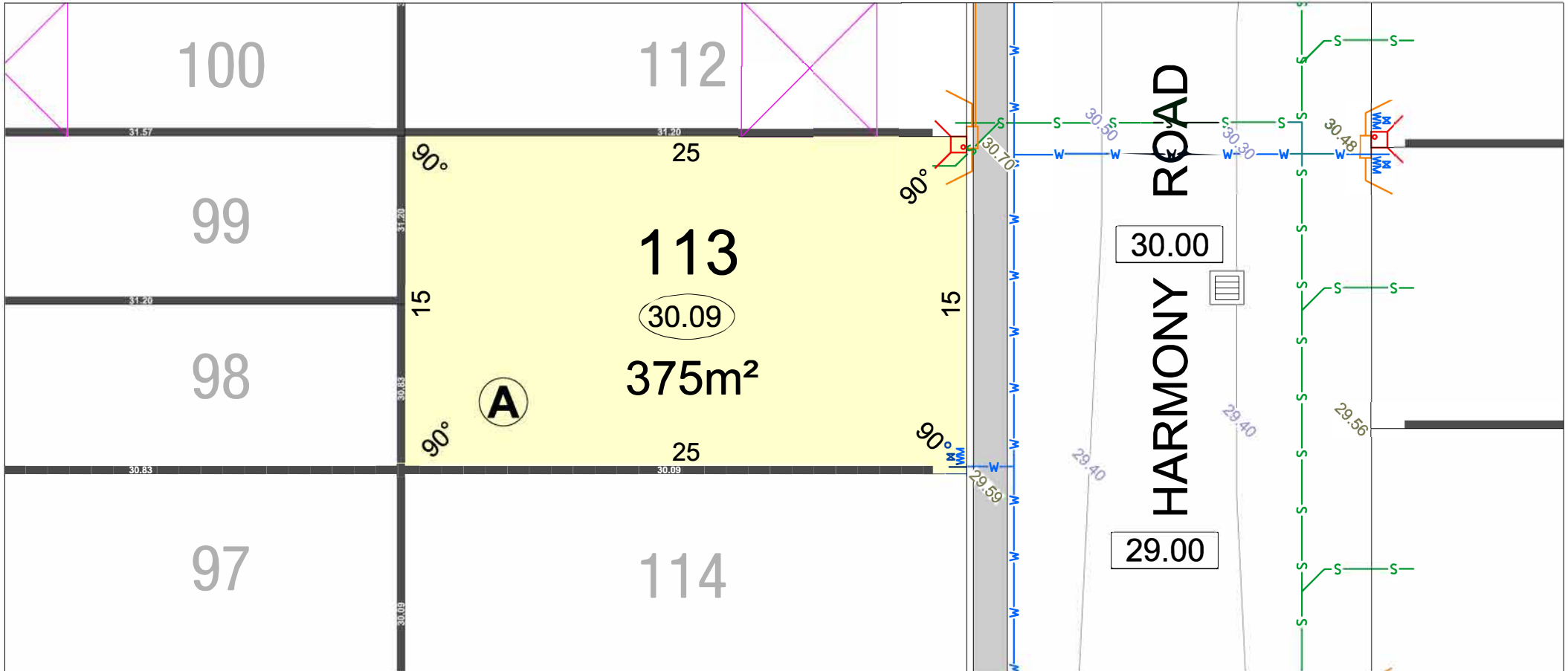


SCALE 1:250

**Depicted information subject to approvals and survey.**

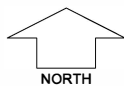
All dimensions and areas are subject to survey. The particulars on this brochure are supplied for information only and shall not be taken as a representation in any respect on the part of the Vendor or its agent. Authorities should be consulted when services are contained within lot boundaries as building restrictions may apply. All retaining walls and associated easements are shown exaggerated for clarity.

parcel.



LEGEND		DRAINAGE		POWER DOME		OPTICOMM CONNECTION		TOP OF KERB HEIGHT		ACOUSTIC ATTENUATION PACKAGE REQUIREMENT (FOR SINGLE STOREY CONSTRUCTION)		
	WATER		WATER VALVE		POWER DOME MINI PILLAR		OPTICOMM CONNECTION		24.99	TOP OF KERB HEIGHT		PACKAGE A
	WATER METER		POWER DOME UNIVERSAL PILLAR		SEWER/ MANHOLE		ACCESS RESTRICTION		26.16	SPOT LEVEL		PACKAGE B
	WATER HYDRANT		STREETLIGHTS		PADMOUNT SITE		26.32	PAD LEVEL				PACKAGE C
	GARAGE LOCATION		RETAINING WALL & HEIGHT									
	25.40 ROAD LEVEL		NON-STRUCTURAL WALL									

STAGE 1

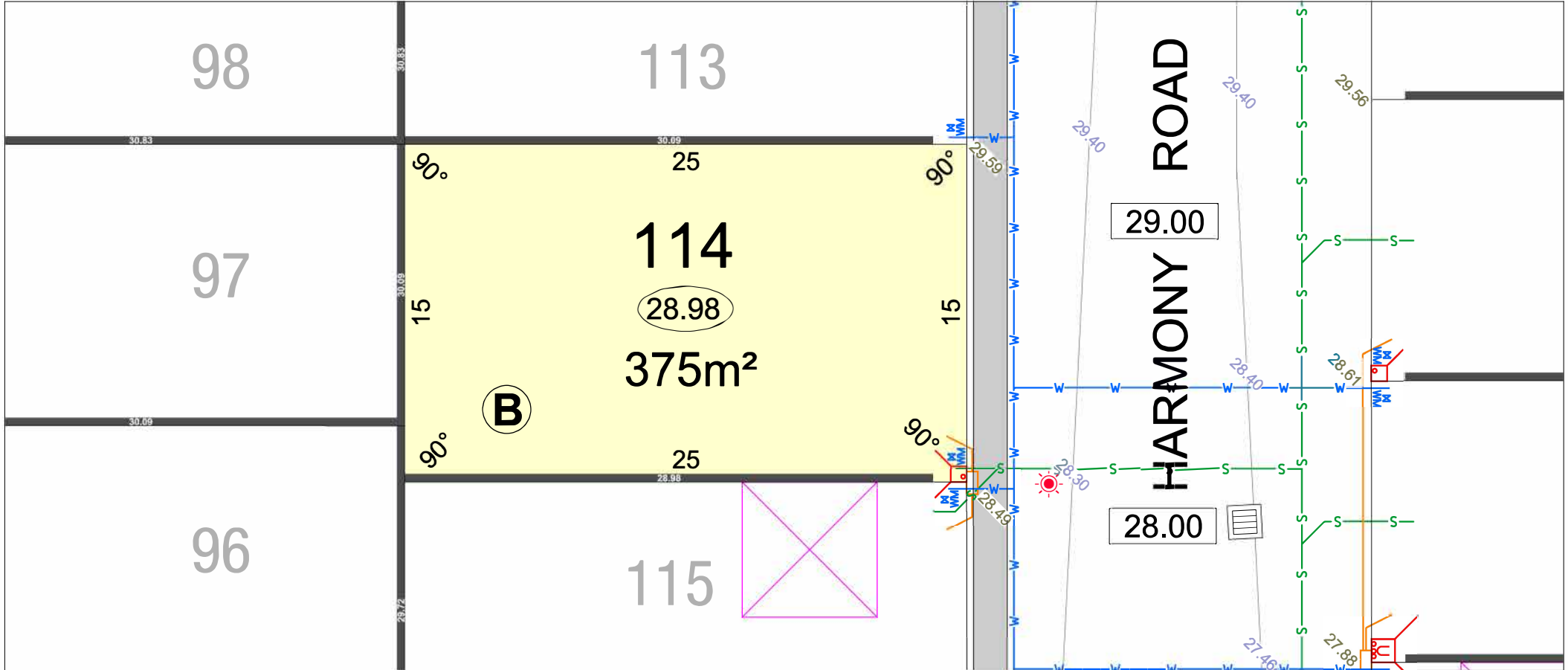


SCALE 1:250

**Depicted information subject to approvals and survey.**

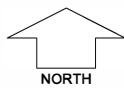
All dimensions and areas are subject to survey. The particulars on this brochure are supplied for information only and shall not be taken as a representation in any respect on the part of the Vendor or its agent. Authorities should be consulted when services are contained within lot boundaries as building restrictions may apply. All retaining walls and associated easements are shown exaggerated for clarity.

parcel.



LEGEND		DRAINAGE		POWER DOME		OPTICOMM CONNECTION		TOP OF KERB HEIGHT		ACOUSTIC ATTENUATION PACKAGE REQUIREMENT (FOR SINGLE STOREY CONSTRUCTION)	
WATER	WATER VALVE	DRAINAGE	POWER DOME MINI PILLAR	OPTICOMM CONNECTION	TOP OF KERB HEIGHT						
WATER METER	GARAGE LOCATION	RETAINING WALL & HEIGHT	POWER DOME UNIVERSAL PILLAR	SEWER/ MANHOLE	SPOT LEVEL						
WATER HYDRANT	ROAD LEVEL	NON-STRUCTURAL WALL	STREETLIGHTS	ACCESS RESTRICTION	PAD LEVEL						
				PADMOUNT SITE							

STAGE 1



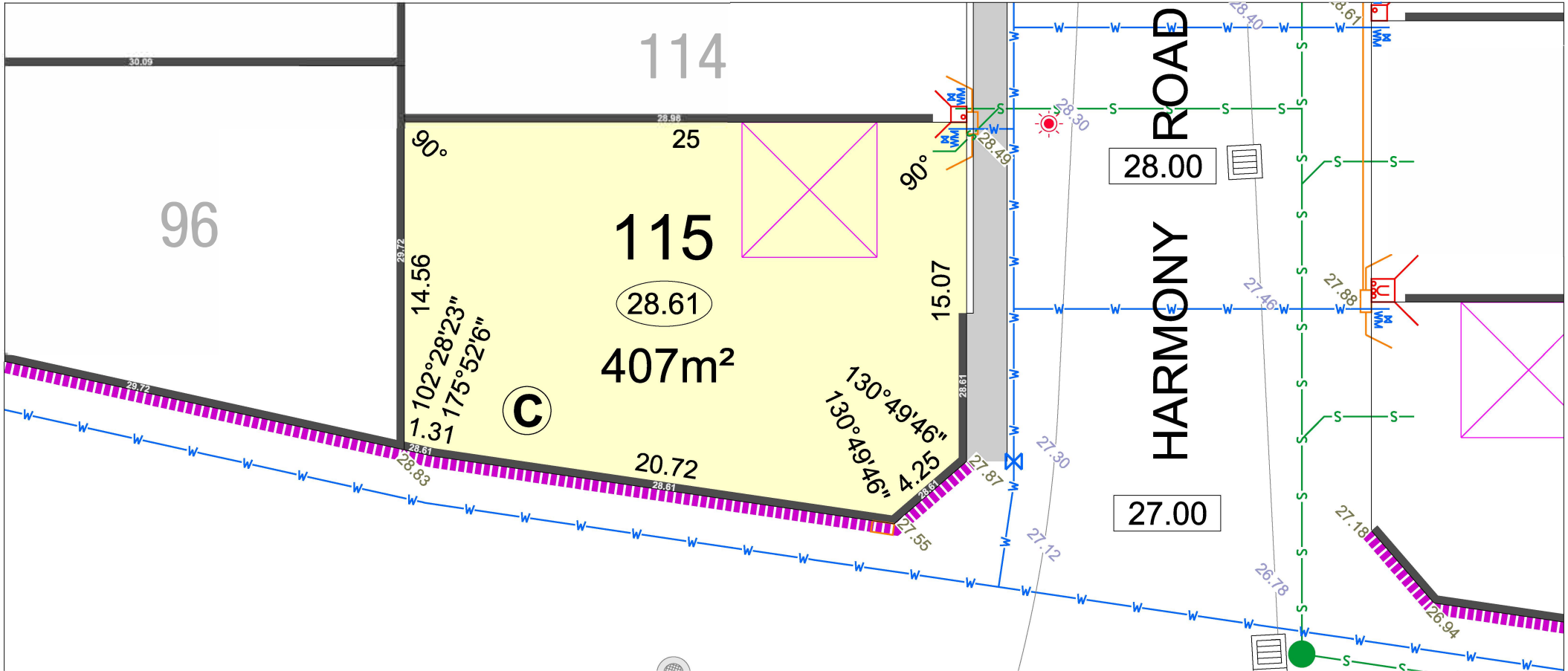
SCALE 1:250

Depicted information subject to approvals and survey.

All dimensions and areas are subject to survey. The particulars on this brochure are supplied for information only and shall not be taken as a representation in any respect on the part of the Vendor or its agent. Authorities should be consulted when services are contained within lot boundaries as building restrictions may apply. All retaining walls and associated easements are shown exaggerated for clarity.

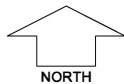
parcel.





LEGEND		DRAINAGE		POWER DOME		OPTICOMM CONNECTION		TOP OF KERB HEIGHT		ACOUSTIC ATTENUATION PACKAGE REQUIREMENT (FOR SINGLE STOREY CONSTRUCTION)	
WATER	WATER VALVE	DRAINAGE	POWER DOME MINI PILLAR	OPTICOMM CONNECTION	TOP OF KERB HEIGHT			SPOT LEVEL		PAD LEVEL	
WATER METER	GARAGE LOCATION	RETAINING WALL & HEIGHT	POWER DOME UNIVERSAL PILLAR	SEWER/ MANHOLE	ACCESS RESTRICTION						
WATER HYDRANT	ROAD LEVEL	NON-STRUCTURAL WALL	STREETLIGHTS	PADMOUNT SITE	PACKAGE A	PACKAGE B	PACKAGE C				

STAGE 1

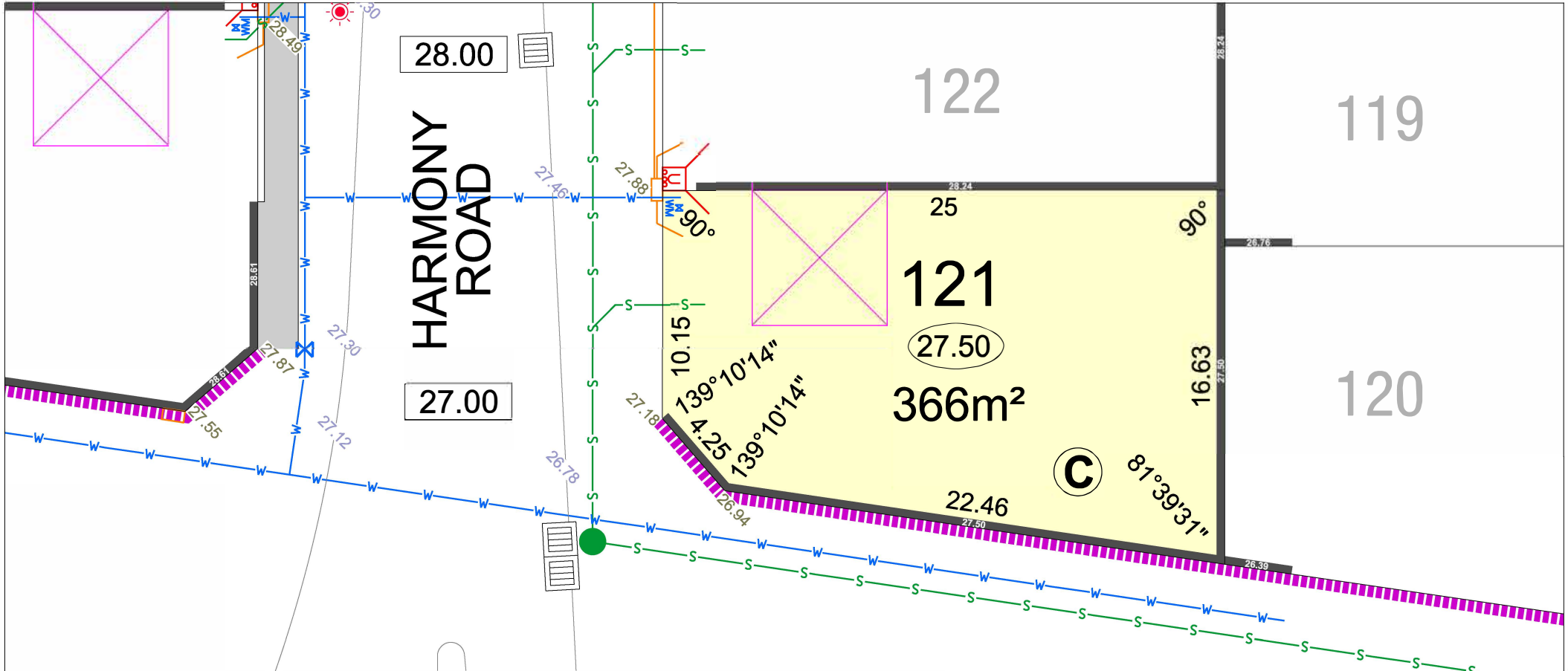


SCALE 1:250

**Depicted information subject to approvals and survey.**

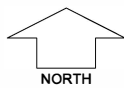
All dimensions and areas are subject to survey. The particulars on this brochure are supplied for information only and shall not be taken as a representation in any respect on the part of the Vendor or its agent. Authorities should be consulted when services are contained within lot boundaries as building restrictions may apply. All retaining walls and associated easements are shown exaggerated for clarity.

parcel.



LEGEND		DRAINAGE		POWER DOME		OPTICOMM CONNECTION		TOP OF KERB HEIGHT		ACOUSTIC ATTENUATION PACKAGE REQUIREMENT (FOR SINGLE STOREY CONSTRUCTION)				
	WATER		WATER VALVE		DRAINAGE		MINI PILLAR		CONNECTION		24.99	TOP OF KERB HEIGHT		PACKAGE A
	WATER METER		GARAGE LOCATION		RETAINING WALL & HEIGHT		UNIVERSAL PILLAR		SEWER/ MANHOLE		26.16	SPOT LEVEL		PACKAGE B
	WATER HYDRANT		ROAD LEVEL		NON-STRUCTURAL WALL		STREETLIGHTS		ACCESS RESTRICTION		26.32	PAD LEVEL		PACKAGE C
									PADMOUNT SITE					

STAGE 1

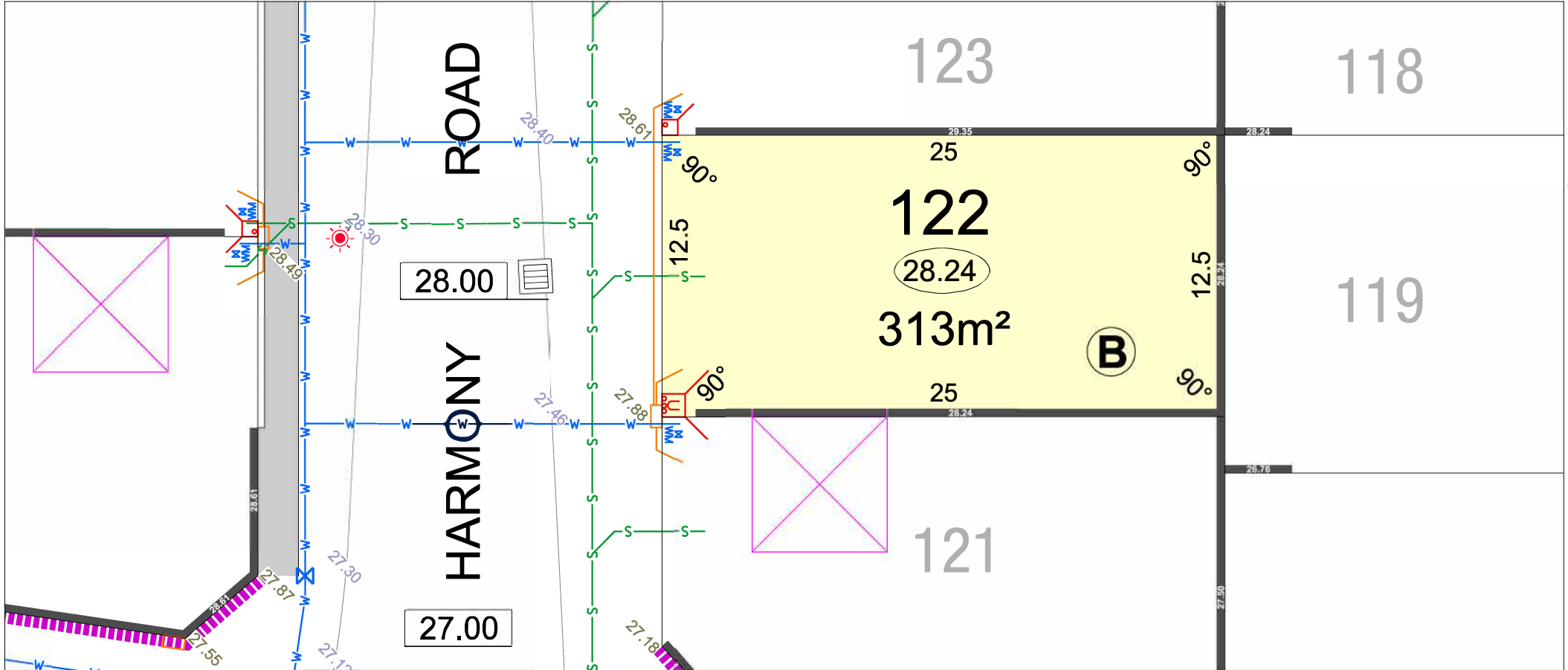


SCALE 1:250

**Depicted information subject to approvals and survey.**

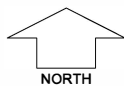
All dimensions and areas are subject to survey. The particulars on this brochure are supplied for information only and shall not be taken as a representation in any respect on the part of the Vendor or its agent. Authorities should be consulted when services are contained within lot boundaries as building restrictions may apply. All retaining walls and associated easements are shown exaggerated for clarity.

parcel.



LEGEND		DRAINAGE		POWER DOME		OPTICOMM CONNECTION		ACROUSTIC ATTENUATION PACKAGE REQUIREMENT (FOR SINGLE STOREY CONSTRUCTION)	
	WATER		WATER VALVE		MINI PILLAR		SEWER/ MANHOLE		PACKAGE A
	WATER METER		GARAGE LOCATION		UNIVERSAL PILLAR		ACCESS RESTRICTION		PACKAGE B
	WATER HYDRANT		ROAD LEVEL		STREETLIGHTS		PADMOUNT SITE		PACKAGE C
			RETAINING WALL & HEIGHT				TOP OF KERB HEIGHT		
			NON-STRUCTURAL WALL				SPOT LEVEL		
							PAD LEVEL		

STAGE 1

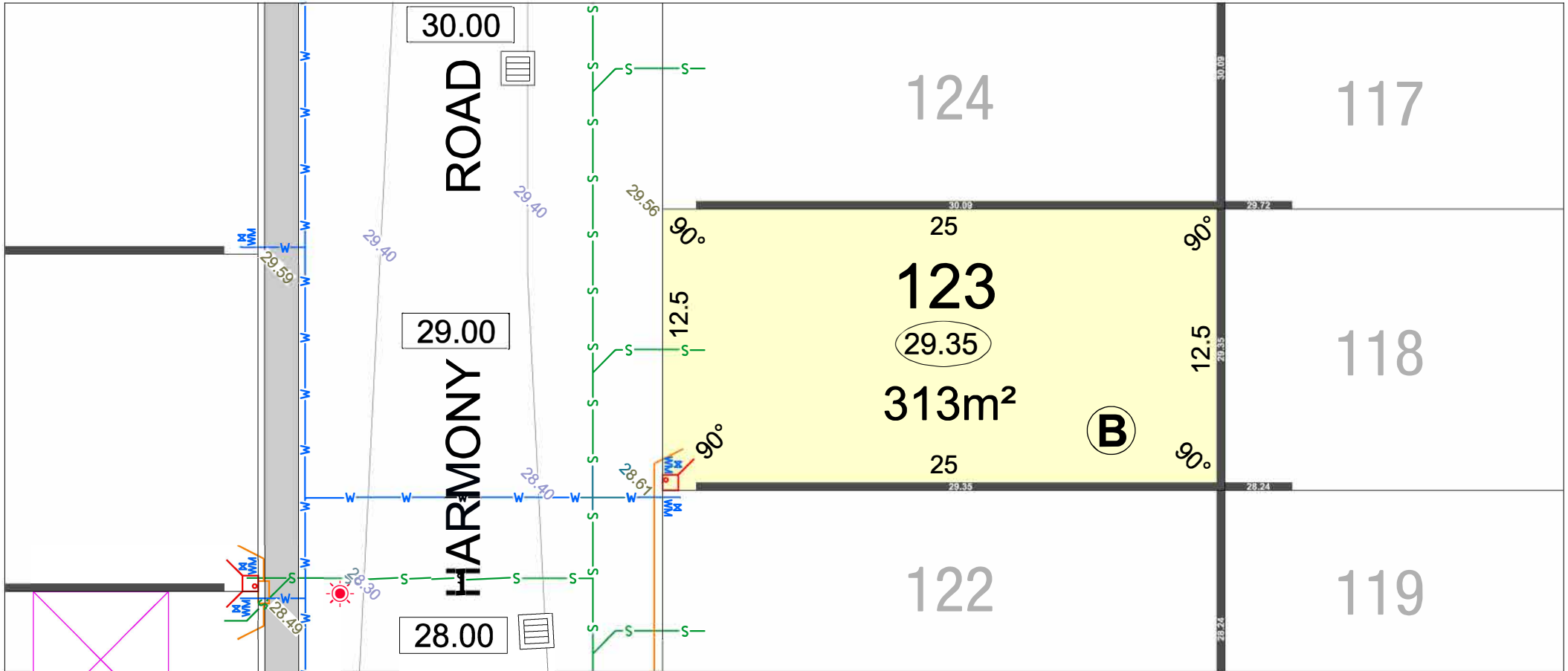


SCALE 1:250

**Depicted information subject to approvals and survey.**

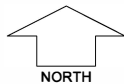
All dimensions and areas are subject to survey. The particulars on this brochure are supplied for information only and shall not be taken as a representation in any respect on the part of the Vendor or its agent. Authorities should be consulted when services are contained within lot boundaries as building restrictions may apply. All retaining walls and associated easements are shown exaggerated for clarity.

parcel.



LEGEND		DRAINAGE		POWER DOME		OPTICOMM CONNECTION		ACoustic ATTENUATION PACKAGE REQUIREMENT (FOR SINGLE STOREY CONSTRUCTION)	
WATER	WATER VALVE	DRAINAGE	POWER DOME MINI PILLAR	OPTICOMM CONNECTION	TOP OF KERB HEIGHT				
WATER METER	GARAGE LOCATION	RETAINING WALL & HEIGHT	POWER DOME UNIVERSAL PILLAR	SEWER/ MANHOLE	SPOT LEVEL				
WATER HYDRANT	ROAD LEVEL	NON-STRUCTURAL WALL	STREETLIGHTS	ACCESS RESTRICTION	PAD LEVEL				

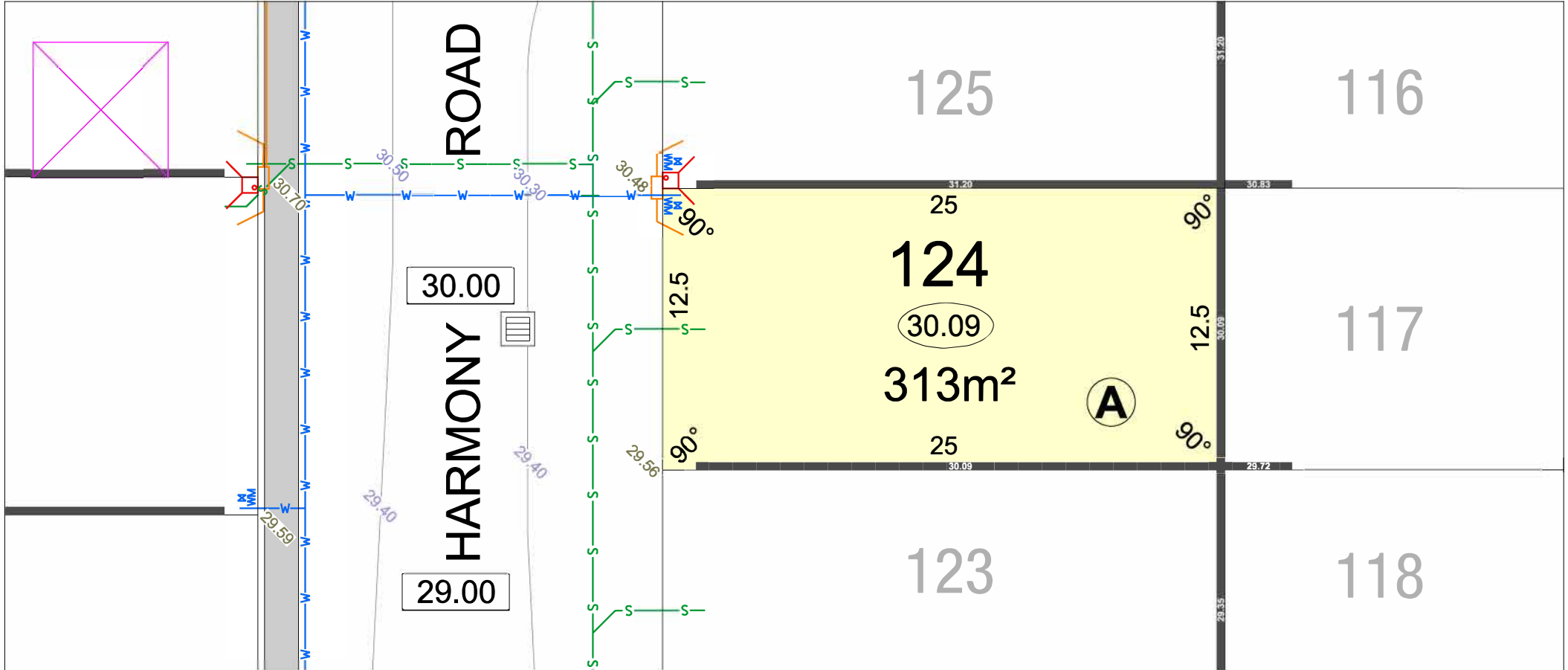
STAGE 1



SCALE 1:250

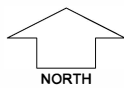
**Depicted information subject to approvals and survey.**  
All dimensions and areas are subject to survey. The particulars on this brochure are supplied for information only and shall not be taken as a representation in any respect on the part of the Vendor or its agent. Authorities should be consulted when services are contained within lot boundaries as building restrictions may apply. All retaining walls and associated easements are shown exaggerated for clarity.

parcel.



LEGEND		DRAINAGE		POWER DOME		OPTICOMM CONNECTION		ACoustic ATTENUATION PACKAGE REQUIREMENT (FOR SINGLE STOREY CONSTRUCTION)			
	WATER		RETAINING WALL & HEIGHT		POWER DOME MINI PILLAR		SEWER/ MANHOLE		TOP OF KERB HEIGHT		PACKAGE A
	WATER METER		GARAGE LOCATION		POWER DOME UNIVERSAL PILLAR		ACCESS RESTRICTION		SPOT LEVEL		PACKAGE B
	WATER HYDRANT		ROAD LEVEL		STREETLIGHTS		PADMOUNT SITE		PAD LEVEL		PACKAGE C

STAGE 1

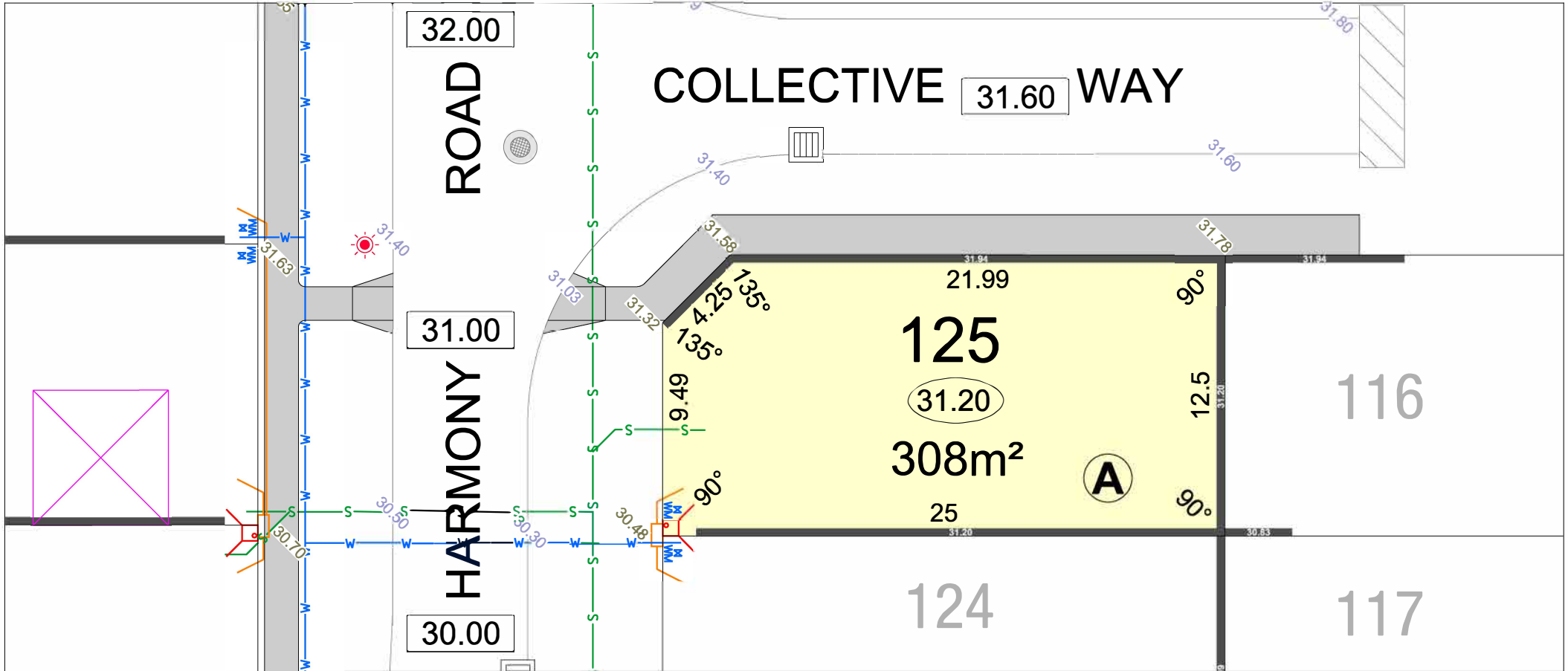


SCALE 1:250

**Depicted information subject to approvals and survey.**

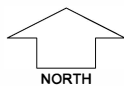
All dimensions and areas are subject to survey. The particulars on this brochure are supplied for information only and shall not be taken as a representation in any respect on the part of the Vendor or its agent. Authorities should be consulted when services are contained within lot boundaries as building restrictions may apply. All retaining walls and associated easements are shown exaggerated for clarity.

parcel.



LEGEND		DRAINAGE		POWER DOME		TOP OF KERB HEIGHT		ACOUSTIC ATTENUATION PACKAGE REQUIREMENT (FOR SINGLE STOREY CONSTRUCTION)	
WATER	WATER VALVE	DRAINAGE	POWER DOME MINI PILLAR	TOP OF KERB HEIGHT					
WATER METER	GARAGE LOCATION	RETAINING WALL & HEIGHT	POWER DOME UNIVERSAL PILLAR	SPOT LEVEL					
WATER HYDRANT	ROAD LEVEL	NON-STRUCTURAL WALL	STREETLIGHTS	PAD LEVEL					
			OPTICOMM CONNECTION	ACCESS RESTRICTION					
			SEWER/ MANHOLE	PADMOUNT SITE					

STAGE 1

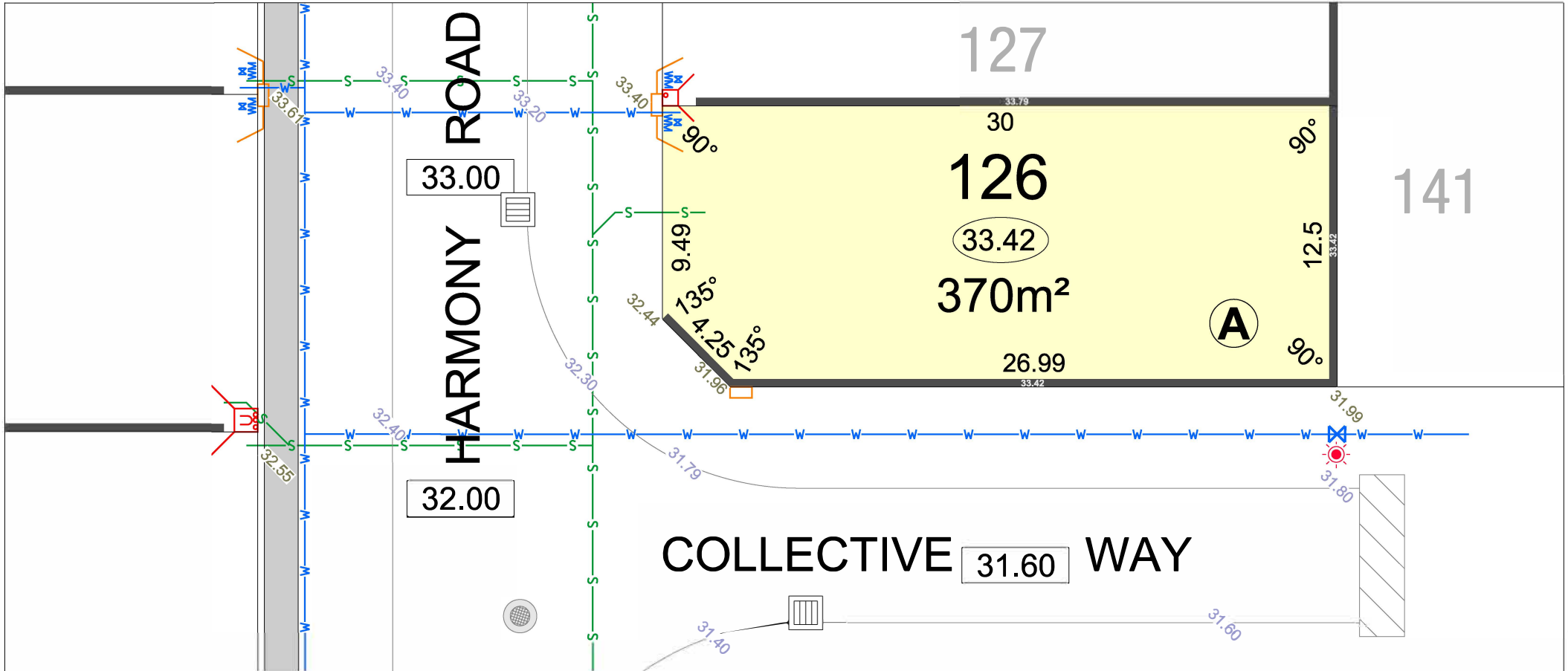


SCALE 1:250

**Depicted information subject to approvals and survey.**

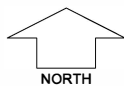
All dimensions and areas are subject to survey. The particulars on this brochure are supplied for information only and shall not be taken as a representation in any respect on the part of the Vendor or its agent. Authorities should be consulted when services are contained within lot boundaries as building restrictions may apply. All retaining walls and associated easements are shown exaggerated for clarity.

parcel.



LEGEND		DRAINAGE		POWER DOME		OPTICOMM CONNECTION		TOP OF KERB HEIGHT		ACOUSTIC ATTENUATION PACKAGE REQUIREMENT (FOR SINGLE STOREY CONSTRUCTION)	
WATER	WATER VALVE	DRAINAGE	POWER DOME MINI PILLAR	OPTICOMM CONNECTION	TOP OF KERB HEIGHT						
WATER METER	GARAGE LOCATION	RETAINING WALL & HEIGHT	POWER DOME UNIVERSAL PILLAR	ACCESS RESTRICTION	SPOT LEVEL						
WATER HYDRANT	ROAD LEVEL	NON-STRUCTURAL WALL	STREETLIGHTS	PADMOUNT SITE	PAD LEVEL					(A) PACKAGE A (B) PACKAGE B (C) PACKAGE C	

STAGE 1

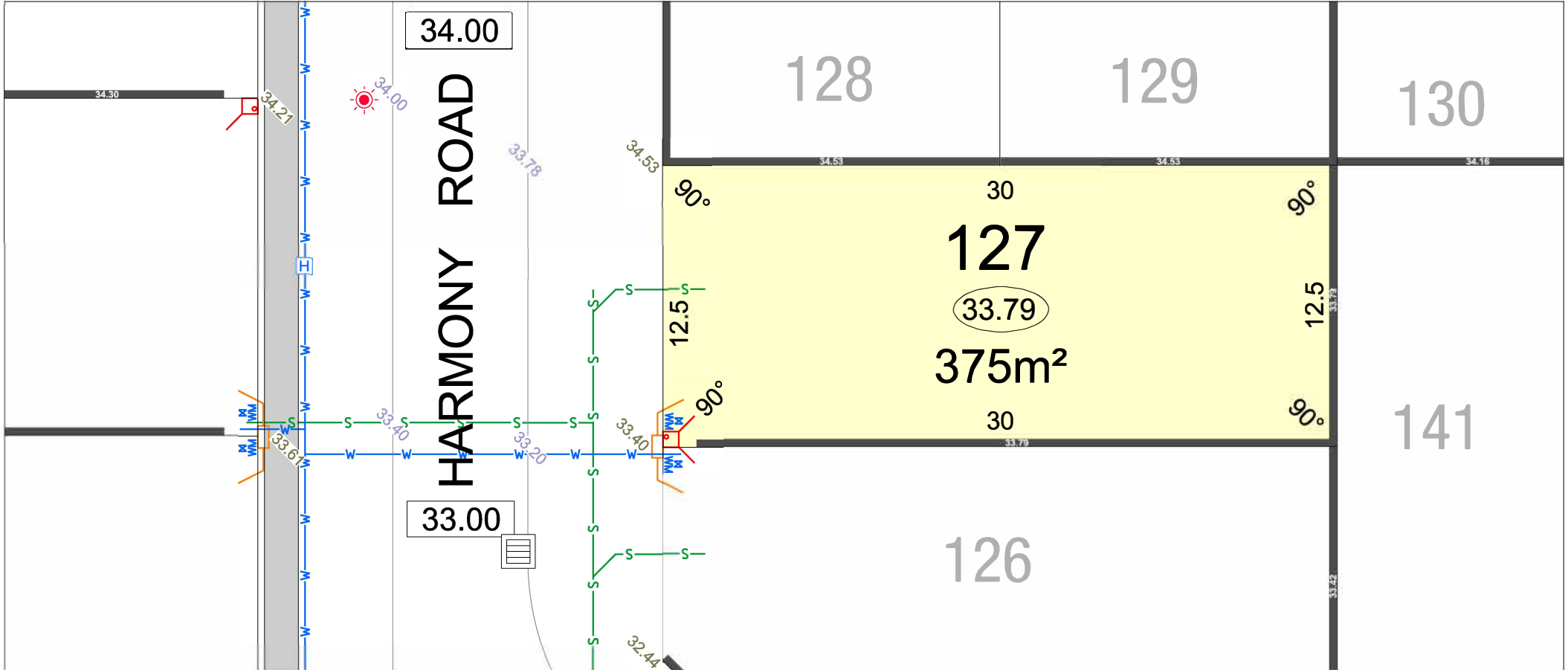


SCALE 1:250

**Depicted information subject to approvals and survey.**

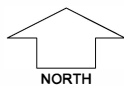
All dimensions and areas are subject to survey. The particulars on this brochure are supplied for information only and shall not be taken as a representation in any respect on the part of the Vendor or its agent. Authorities should be consulted when services are contained within lot boundaries as building restrictions may apply. All retaining walls and associated easements are shown exaggerated for clarity.

parcel.



LEGEND		DRAINAGE		POWER DOME		OPTICOMM CONNECTION		ACoustic ATTENUATION PACKAGE REQUIREMENT (FOR SINGLE STOREY CONSTRUCTION)	
WATER	WATER VALVE	DRAINAGE	POWER DOME MINI PILLAR	OPTICOMM CONNECTION	TOP OF KERB HEIGHT	ACoustic ATTENUATION PACKAGE REQUIREMENT (FOR SINGLE STOREY CONSTRUCTION) (A) PACKAGE A (B) PACKAGE B (C) PACKAGE C			
WATER METER	GARAGE LOCATION	RETAINING WALL & HEIGHT	POWER DOME UNIVERSAL PILLAR	SEWER/ MANHOLE	SPOT LEVEL				
WATER HYDRANT	ROAD LEVEL	NON-STRUCTURAL WALL	STREETLIGHTS	ACCESS RESTRICTION	PAD LEVEL				

STAGE 1



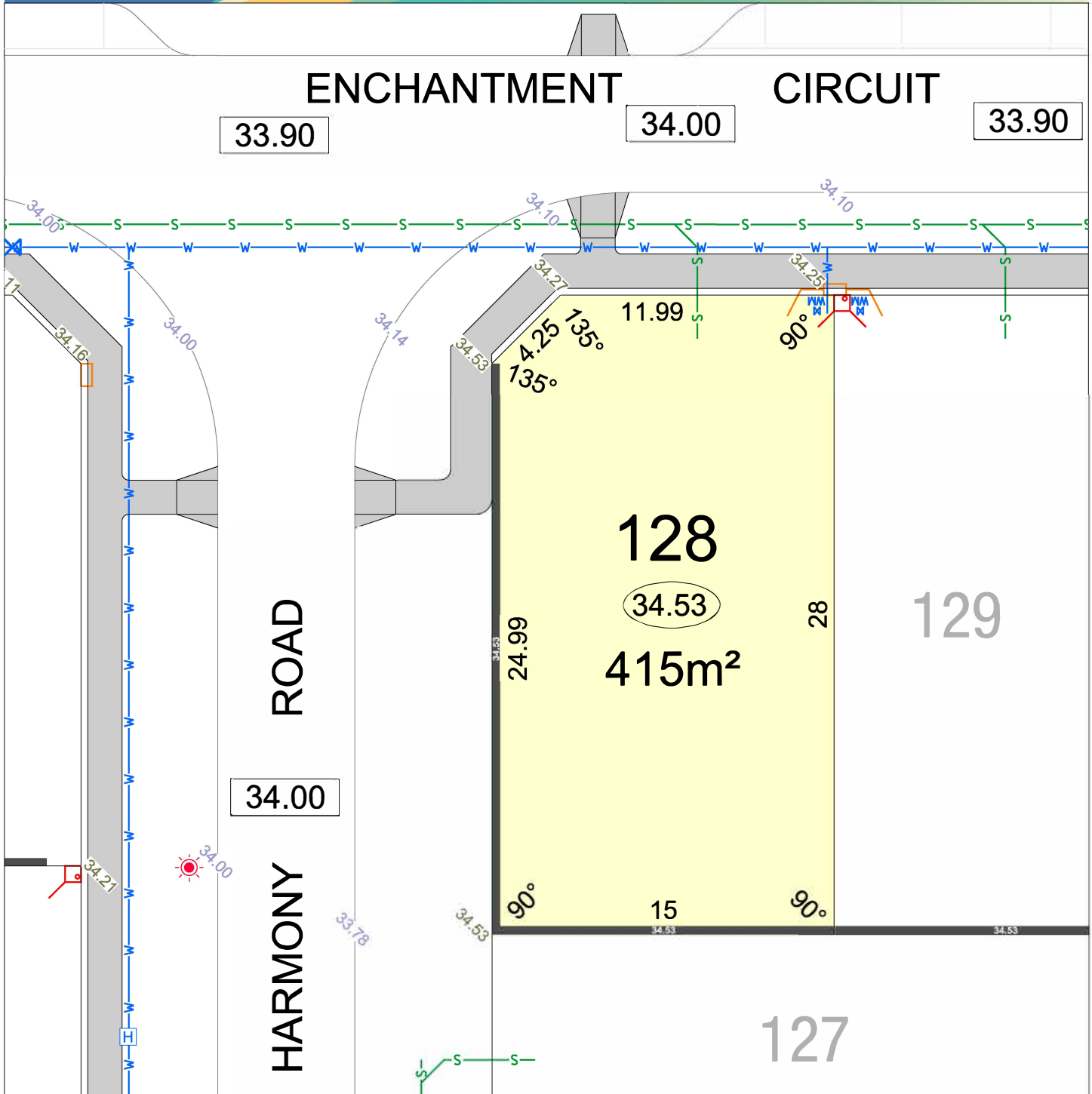
SCALE 1:250

**Depicted information subject to approvals and survey.**

All dimensions and areas are subject to survey. The particulars on this brochure are supplied for information only and shall not be taken as a representation in any respect on the part of the Vendor or its agent. Authorities should be consulted when services are contained within lot boundaries as building restrictions may apply. All retaining walls and associated easements are shown exaggerated for clarity.

parcel.

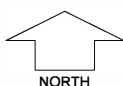




**LEGEND**

WATER	DRAINAGE	POWER DOME MINI PILLAR	26.54 RETAINING WALL & HEIGHT	26.80 TOP OF KERB HEIGHT
WATER METER	<b>ACOUSTIC ATTENUATION PACKAGE REQUIREMENT (FOR SINGLE STOREY CONSTRUCTION)</b>	POWER DOME UNIVERSAL PILLAR	NON-STRUCTURAL WALL	26.16 SPOT LEVEL
WATER HYDRANT	PACKAGE A	STREETLIGHTS	OPTICOMM CONNECTION	26.32 PAD LEVEL
WATER VALVE	PACKAGE B	PADMOUNT SITE	ACCESS RESTRICTION	25.40 ROAD LEVEL
SEWER/ MANHOLE	PACKAGE C			GARAGE LOCATION

**STAGE 1**

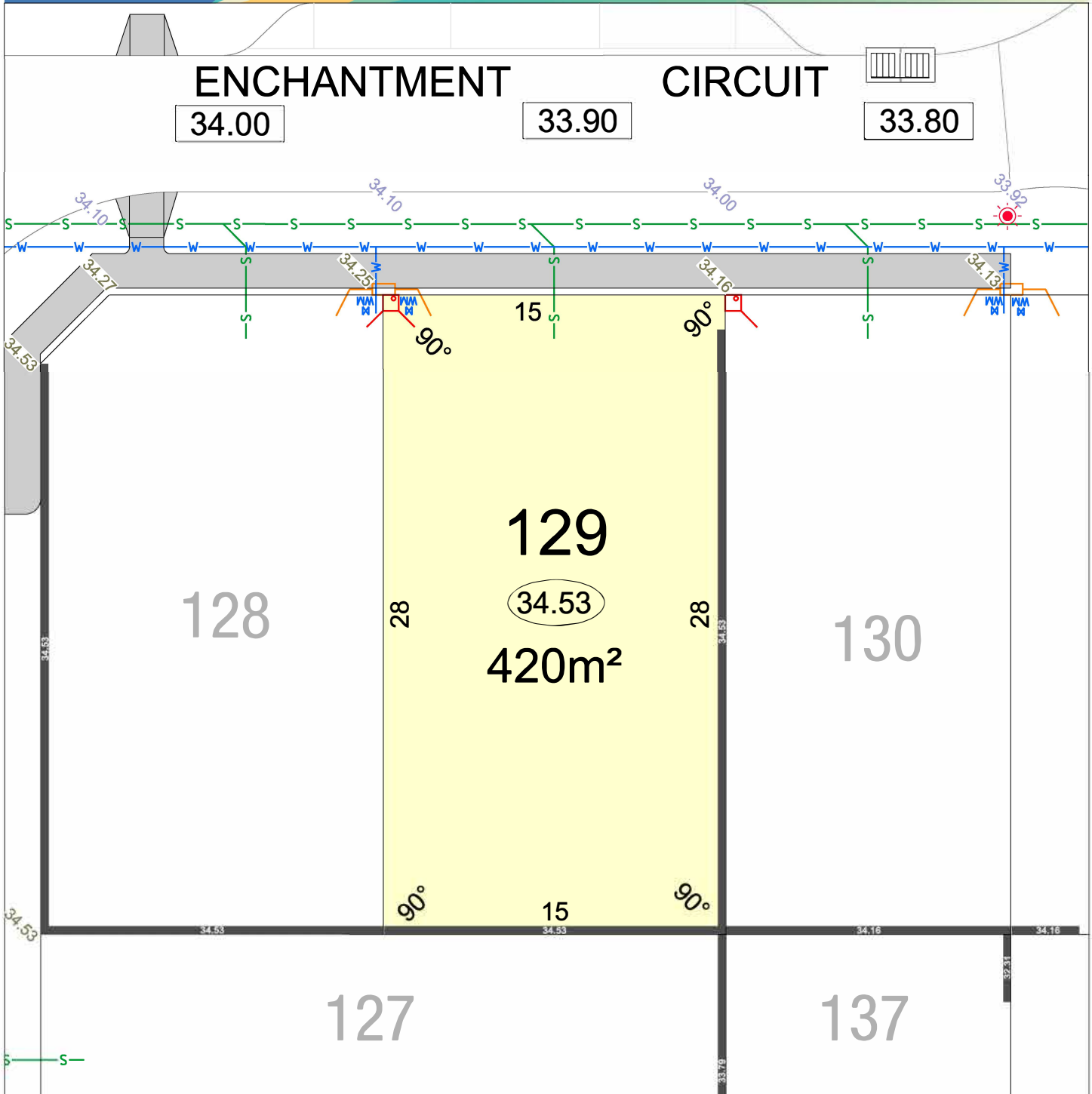


**SCALE 1:250**

**Depicted information subject to approvals and survey.**  
 All dimensions and areas are subject to survey. The particulars on this brochure are supplied for information only and shall not be taken as a representation in any respect on the part of the Vendor or its agent. Authorities should be consulted when services are contained within lot boundaries as building restrictions may apply. All retaining walls and associated easements are shown exaggerated for clarity.

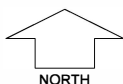
MNG Ref: 101636lip-012d Date: 16/08/2024

parcel.



LEGEND	
	WATER
	WATER METER
	WATER HYDRANT
	WATER VALVE
	SEWER/ MANHOLE
	DRAINAGE
	PACKAGE A
	PACKAGE B
	PACKAGE C
	POWER DOME MINI PILLAR
	POWER DOME UNIVERSAL PILLAR
	STREETLIGHTS
	PADMOUNT SITE
	RETAINING WALL & HEIGHT
	NON-STRUCTURAL WALL
	OPTICOMM CONNECTION
	ACCESS RESTRICTION
	TOP OF KERB HEIGHT
	SPOT LEVEL
	PAD LEVEL
	ROAD LEVEL
	GARAGE LOCATION

## STAGE 1

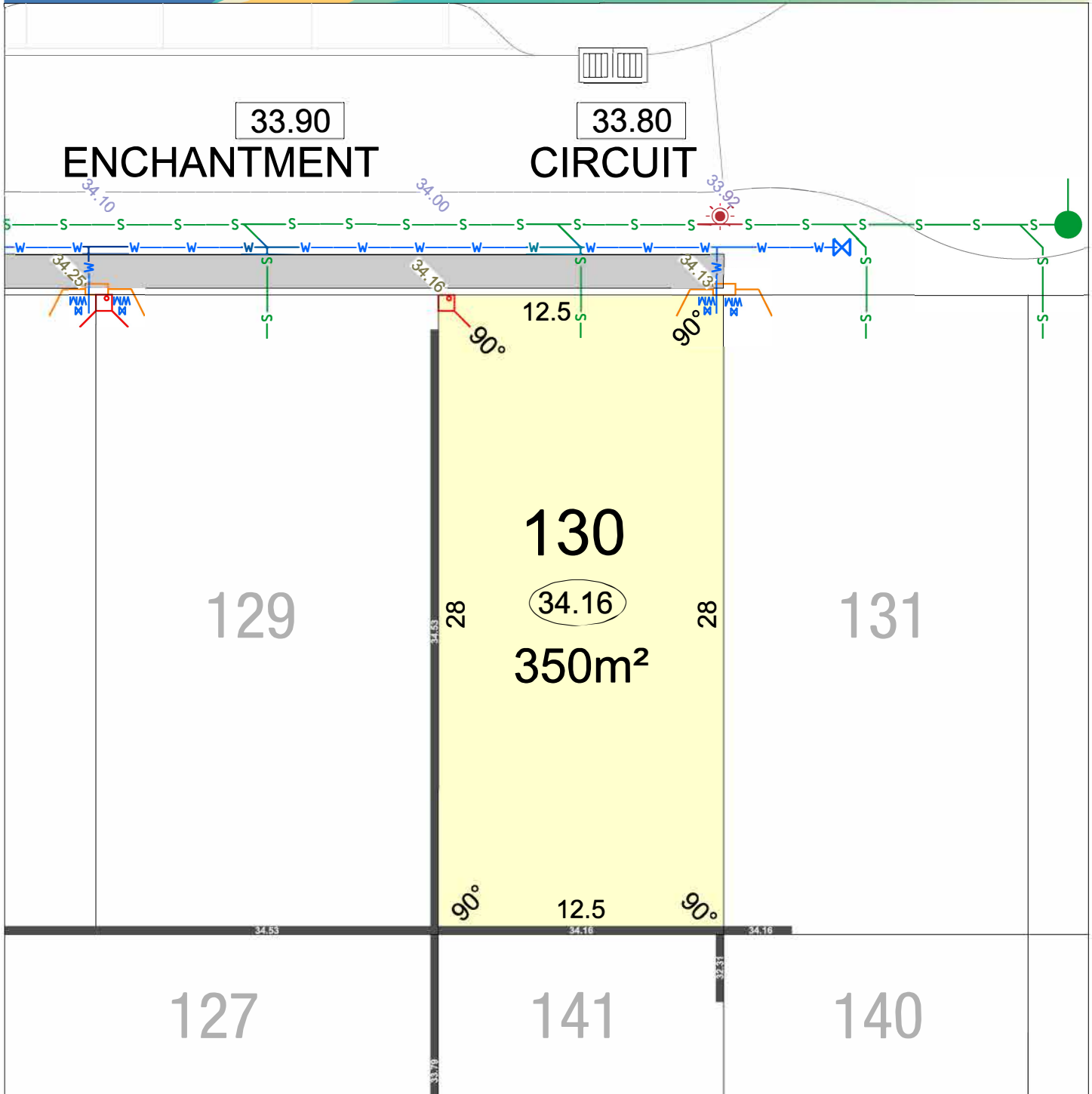


SCALE 1:250

**Depicted information subject to approvals and survey.**  
 All dimensions and areas are subject to survey. The particulars on this brochure are supplied for information only and shall not be taken as a representation in any respect on the part of the Vendor or its agent. Authorities should be consulted when services are contained within lot boundaries as building restrictions may apply. All retaining walls and associated easements are shown exaggerated for clarity.

MNG Ref: 101636lip-012d Date: 16/08/2024

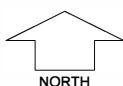
parcel.



**LEGEND**

- |                |   |                             |                               |                          |
|----------------|---|-----------------------------|-------------------------------|--------------------------|
| WATER          | DRAINAGE  | POWER DOME MINI PILLAR      | 26.54 RETAINING WALL & HEIGHT | 26.80 TOP OF KERB HEIGHT |
| WATER METER    | ACOUSTIC ATTENUATION PACKAGE REQUIREMENT (FOR SINGLE STOREY CONSTRUCTION) | POWER DOME UNIVERSAL PILLAR | NON-STRUCTURAL WALL           | 26.16 SPOT LEVEL         |
| WATER HYDRANT  |   | STREETLIGHTS                | OPTICOMM CONNECTION           | 26.32 PAD LEVEL          |
| WATER VALVE    | PACKAGE A   | PADMOUNT SITE               | ACCESS RESTRICTION            | 25.40 ROAD LEVEL         |
| SEWER/ MANHOLE | PACKAGE B   |                             | GARAGE LOCATION               |                          |
|                | PACKAGE C   |                             |                               |                          |

**STAGE 1**



SCALE 1:250

**Depicted information subject to approvals and survey.**

All dimensions and areas are subject to survey. The particulars on this brochure are supplied for information only and shall not be taken as a representation in any respect on the part of the Vendor or its agent. Authorities should be consulted when services are contained within lot boundaries as building restrictions may apply. All retaining walls and associated easements are shown exaggerated for clarity.

MNG Ref: 101636lip-012d Date: 16/08/2024

parcel.